

THE PARTS ILLUSTRATIONS AND PARTS LISTING

GENERAL

This section contains the Parts Illustrations and the Parts List for each of the major assemblies in the AC55 Ice maker.

Each illustration shows an assembly of parts with a position number for each part or sub-assembly shown. These position numbers key with the parts list for the assembly. All parts or assemblies listed by their position number, also have their part number and description.

HOW TO USE THE ILLUSTRATIONS AND PARTS LIST

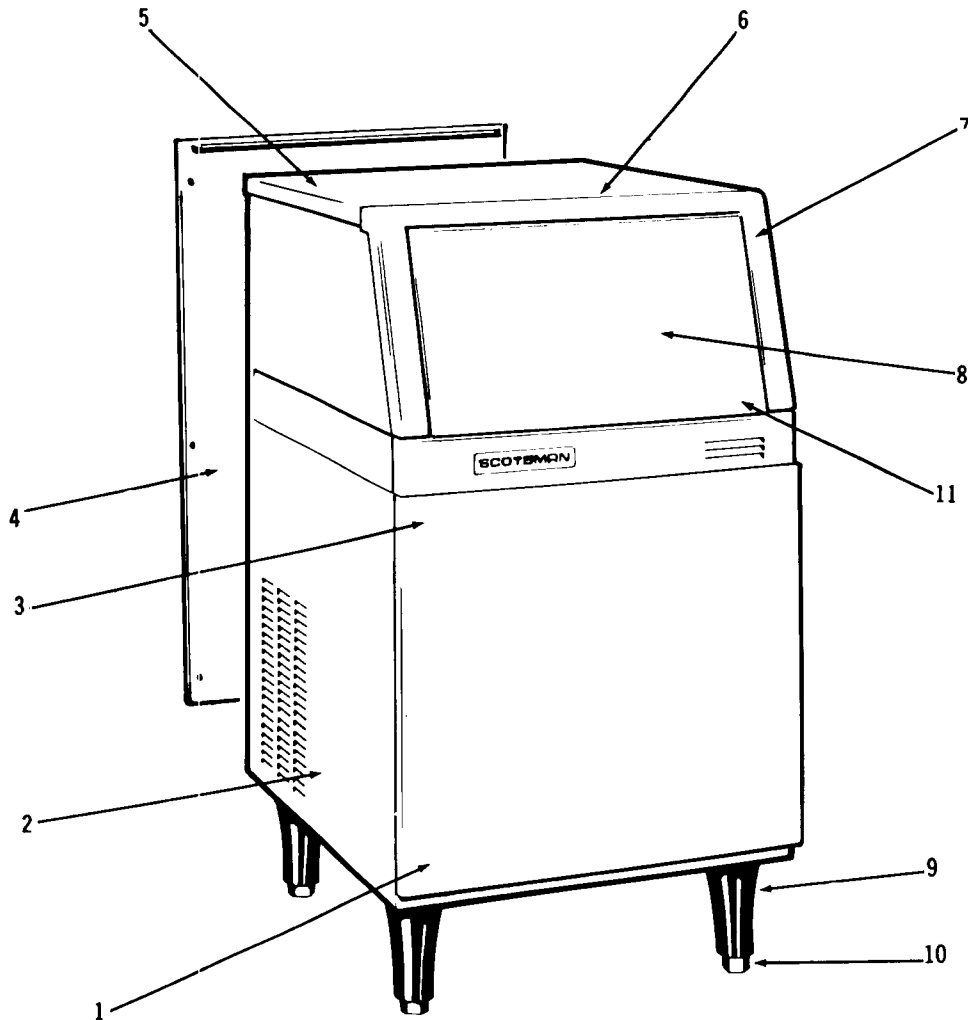
To find the part number of a required part or assembly, turn to the table of contents and find the page number of the Parts Illustration of the major or sub-assembly containing the part. Turn to the

indicate page and locate the part and its Index Number on the specific illustration. Find the Index Number on the required part in the Parts List to determine the complete description of the part.

HOW TO ORDER PARTS OR ASSEMBLES

When ordering parts or assemblies, to avoid costly delays and errors in shipment give the part number, the complete description shown in the list, and the quantities of each part or assembly required. Also include the Model name, the serial number of the Cuber for which the part is required.

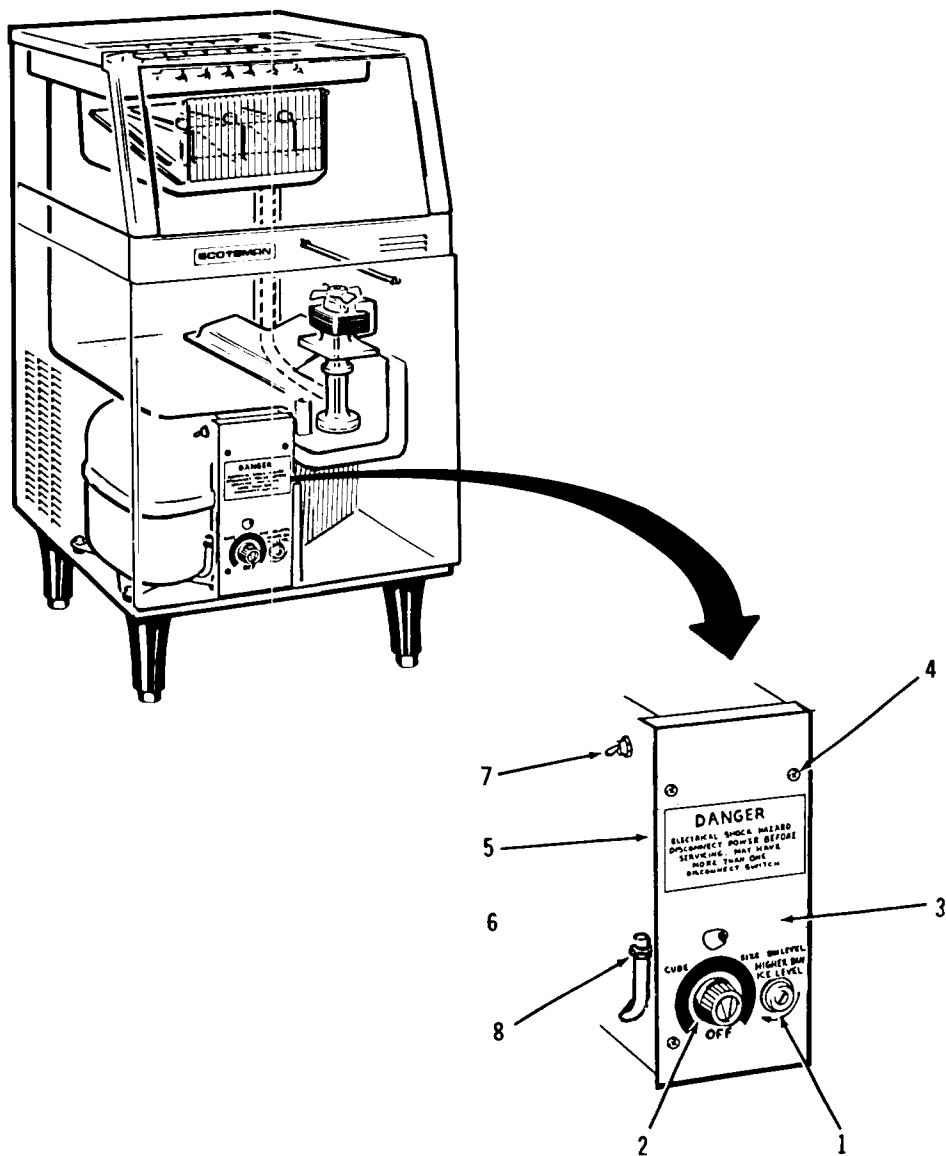
AC55
THE PARTS ILLUSTRATIONS AND PARTS LISTING



ITEM NO.	PART NO.	DESCRIPTION
1	0701793-00	FRONT PANEL
2	0781306-04	CASE ASSEMBLY
3	0470002-00	SCREW
4	0701790-00	REAR PANEL
5	0470002-01	SCREW
6	0701792-00	TOP PANEL
7	0782063-03	BIN DOOR FRAME
8	0792009-03	BIN DOOR
	0724186-00	BIN DOOR PIN
9	0660466-00	LEG
10	0660258-00	LEG LEVELLER
11	0782061-02	BIN LINER

Figure 8-1. Cabinet Assembly.

AC55 THE PARTS ILLUSTRATIONS AND PARTS LISTING

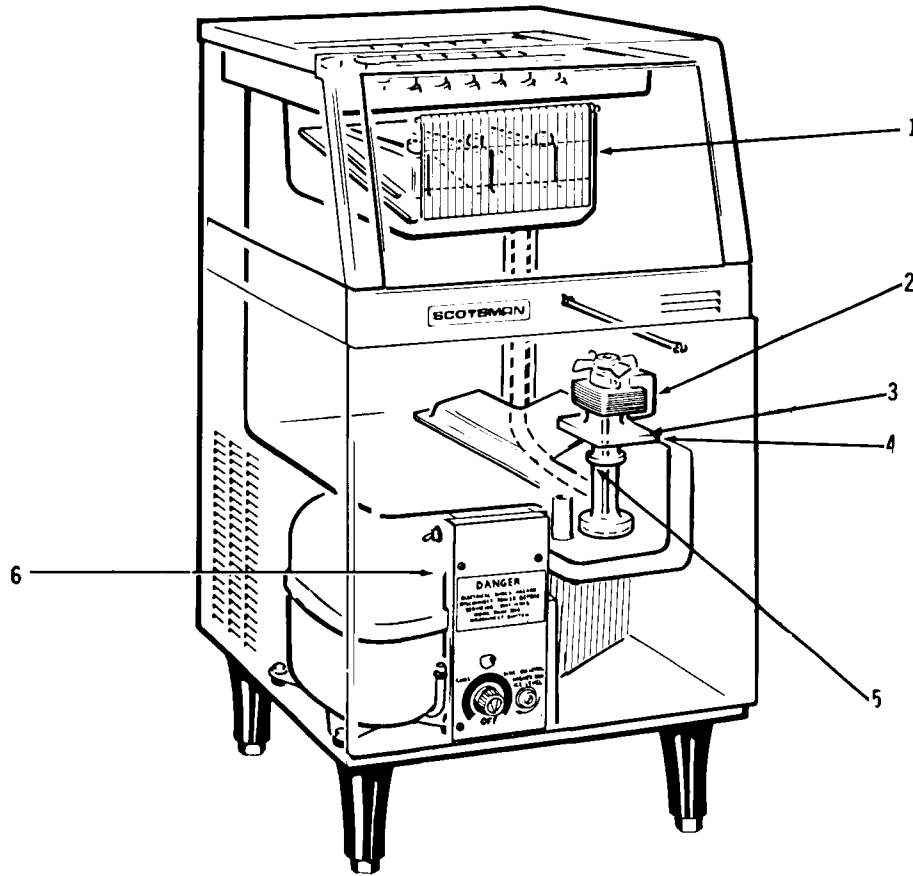


ITEM NO.	PART NO.	DESCRIPTION
1	0630005-00	BIN THERMOSTAT
2	0620264-02	EVAPORATOR THERMOSTAT (cube size control)
3	0630114-01	TERMINAL BOARD*
4	0420249-00	SCREW
	0430032-00	NUT
5	0705151-02	CONTROL BOX COVER
6	0470079-00	SCREW
7	0620033-01	CLEANING SWITCH
8	0650109-00	VALVE BODY
	0670012-00	VALVE PISTON*
	0650503-00	VALVE CAP

*NOT ILLUSTRATED

Figure 8-2. Control Box

AC55 THE PARTS ILLUSTRATIONS AND PARTS LISTING

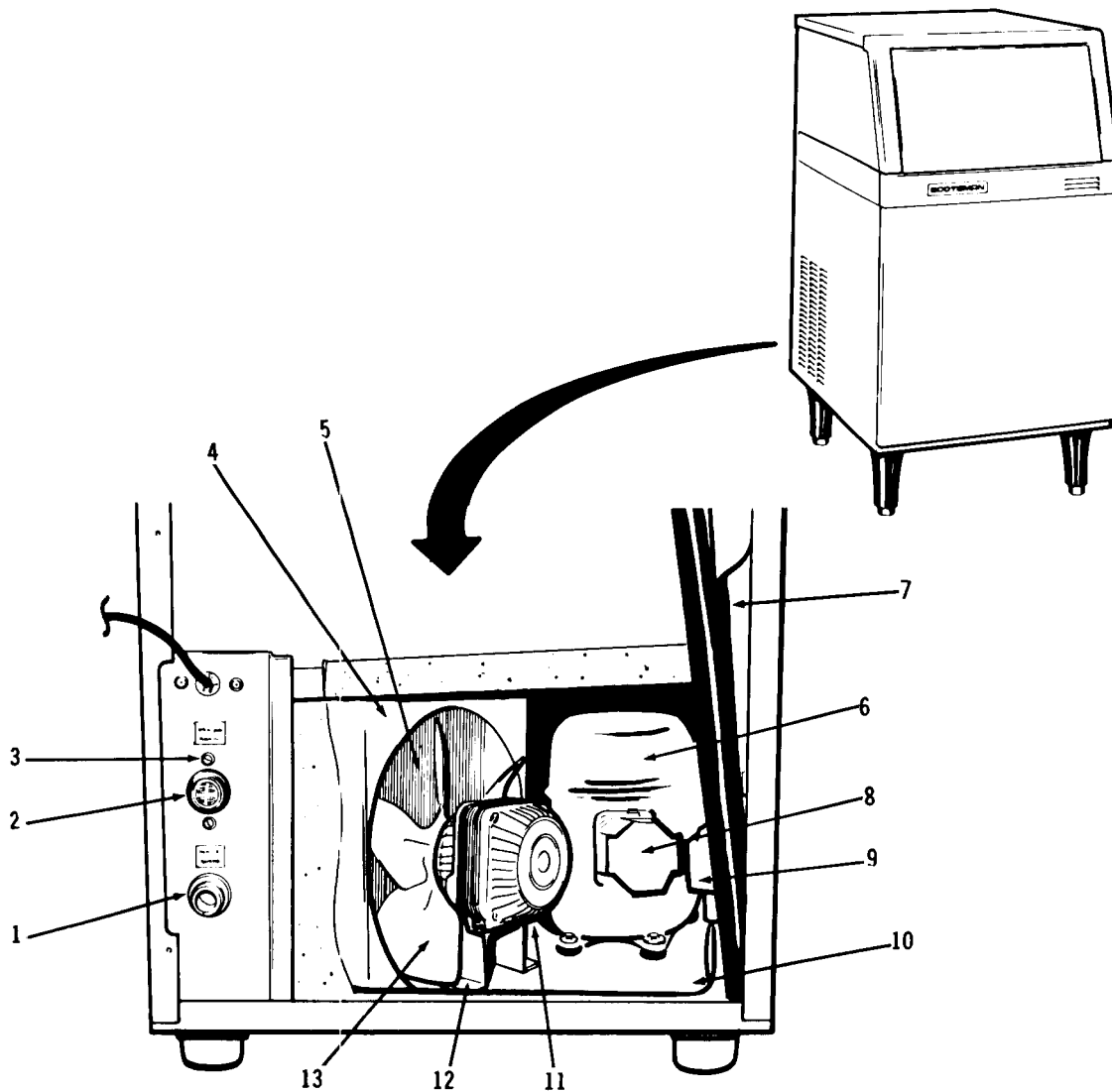


ITEM NO.	PART NO.	DESCRIPTION
1	0784169-08	CURTAIN ASSEMBLY
2	A32588-020	WATER PUMP ASSEMBLY
3	0420110-00	SCREW
	0430034-00	NUT
	0440015-05	WASHER
4	0784288-00	PUMP PLATE
5	0470019-00	SCREW
6	0610148-00	DRAIN TUBE*

*NOT ILLUSTRATED

Figure 8-3. Front View

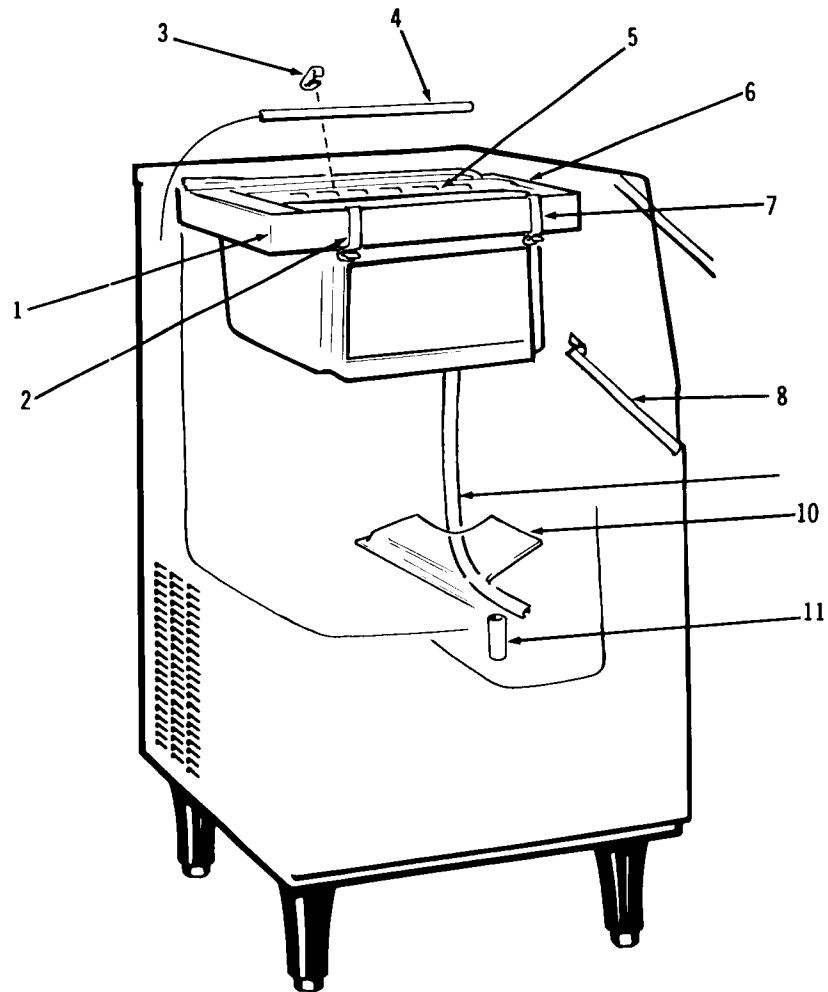
AC55 THE PARTS ILLUSTRATIONS AND PARTS LISTING



ITEM NO.	PART NO.	DESCRIPTION
1	0660224-00	WATER DRAIN
	0400070-00	NUT
	0400071-00	FIBER WASHER
2	A30405-001	WATER INLET VALVE
3	0420324-00	SCREW
4	0660381-01	SHROUD
5	0620276-02	CONDENSER
6	0670093-00	COMPRESSOR ASSEMBLY
7	0784278-01	SUCTION/ACCUMULATOR
8	0620057-26	RELAY
	0620058-26	PROTECTOR
9	12-2007-01	HOT GAS VALVE BODY
	12-2008-01	HOT GAS VALVE COIL
10	0630003-02	DRYER
11	0794255-00	FAN MOTOR
12	0420010-00	SCREW
	0440084-00	WASHER
13	0620346-00	FAN BLADE

Figure 8-4. Back View

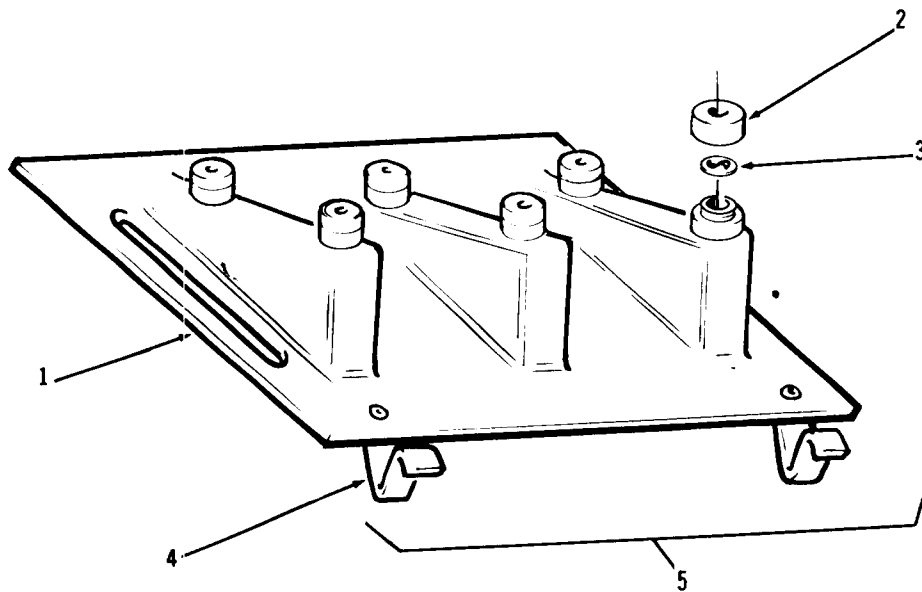
AC55
THE PARTS ILLUSTRATIONS AND PARTS LISTING



ITEM NO.	PART NO.	DESCRIPTION
1	0660395-01	FREEZING CHAMBER
2	0660388-00	CURTAIN BRACKET LEFT
3	0660386-00	CLIP
4	0660340-03	CUBE SIZE CONTROL BULB HOLDER
5	0784282-00	EVAPORATOR ASSEMBLY (small)
6	0741074-01	EVAPORATOR COVER
7	0660388-01	CURTAIN BRACKET RIGHT
8	0732017-00	BIN THERMOSTAT BULB HOLDER
9	0610150-00	RUBBER HOSE (pump to spray system)
10	0660433-00	RESERVOIR COVER
11	0660387-01	OVERFLOW DRAIN PIPE

Figure 8-5. Evaporator Assembly

AC55
THE PARTS ILLUSTRATIONS AND PARTS LISTING



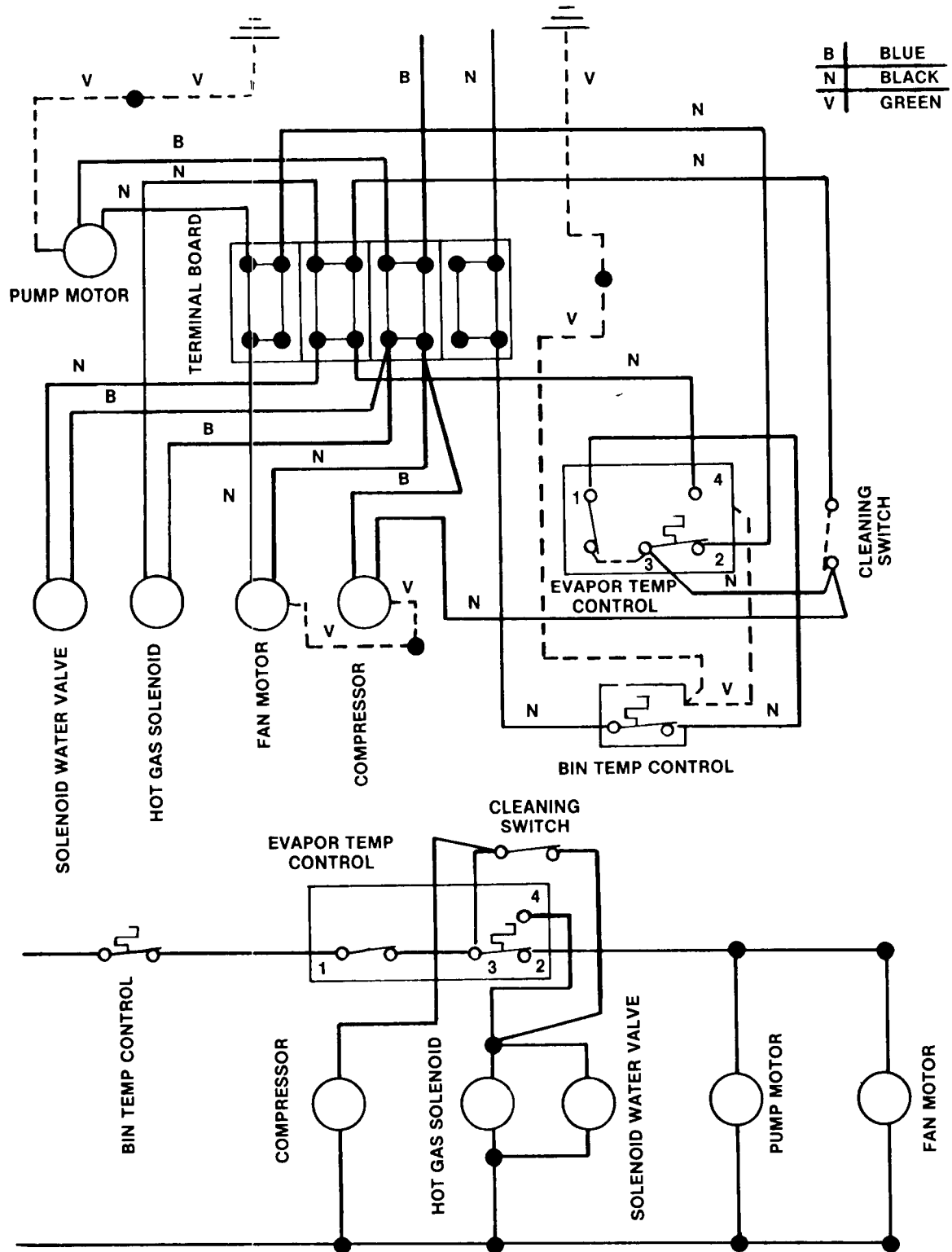
ITEM NO.	PART NO.	DESCRIPTION
1	0793117-01	SPRAY SYSTEM AND CHUTE
2	0660155-03	SPRAY JET CAP
3	0660296-01	SPINNER JET
4	0723073-00	CHUTE HOLDING HOOK
5	0793117-01	SPRAY SYSTEM ASSEMBLY

Figure 8-6. Spray System and Chute

AC55 WIRING DIAGRAM

WIRING DIAGRAM

AC55 - Air cooled - 115/60/1
This unit shown in freezing cycle



This unit must be grounded

050540-04 MOD5

SCOTSMAN

Figure 7-1. Wiring diagram 115/60/1