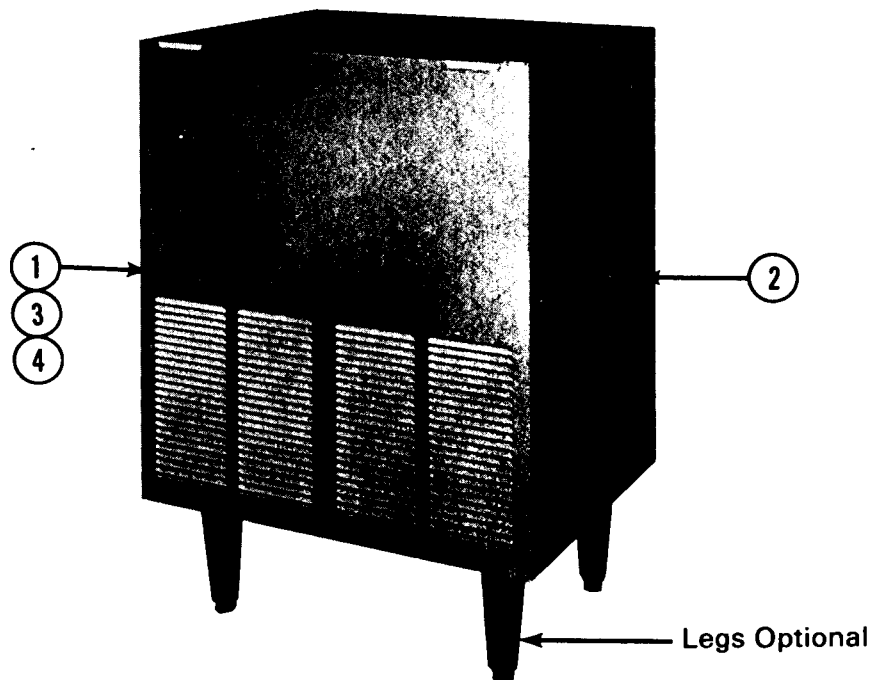
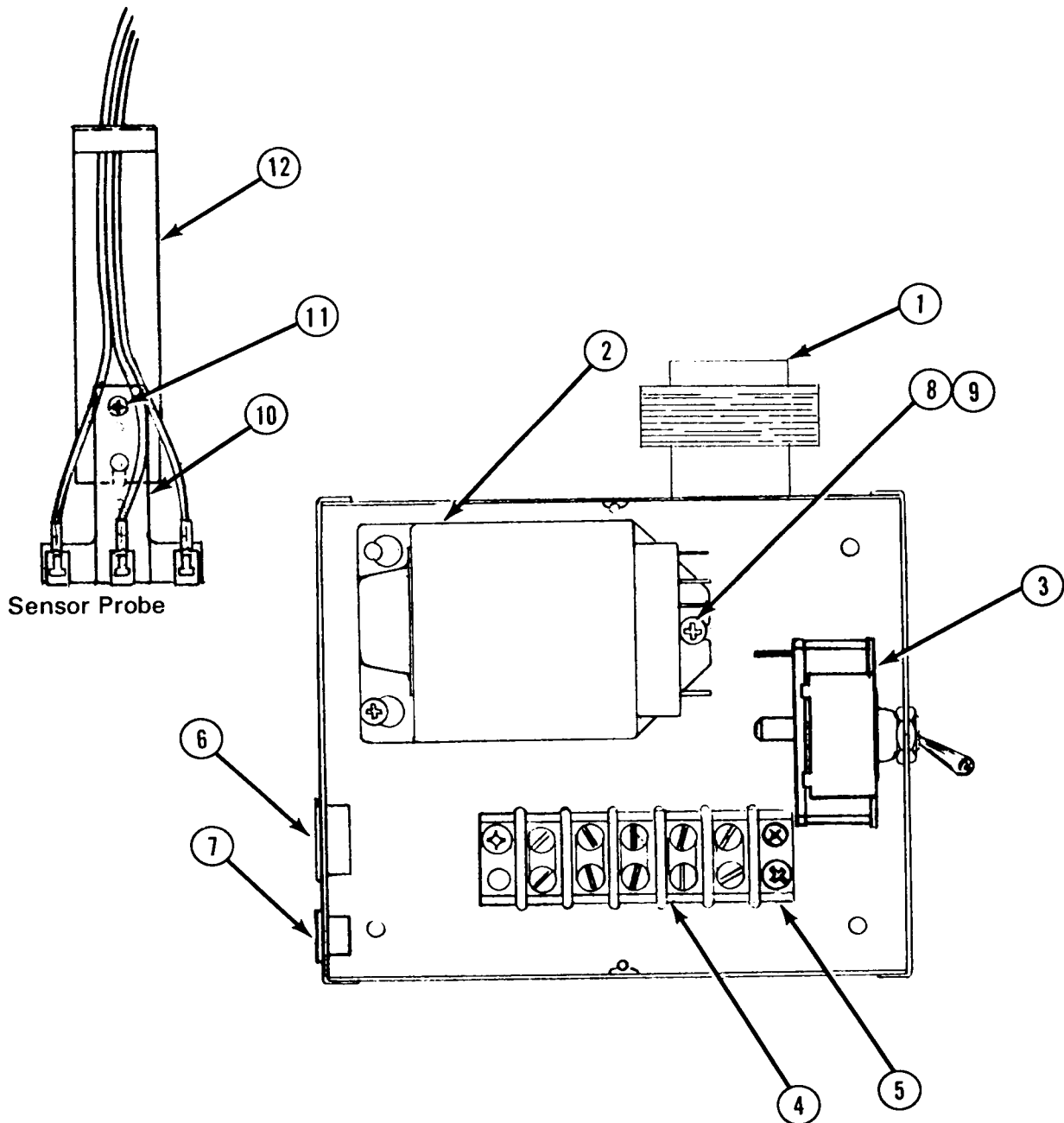


CABINET ASSEMBLY



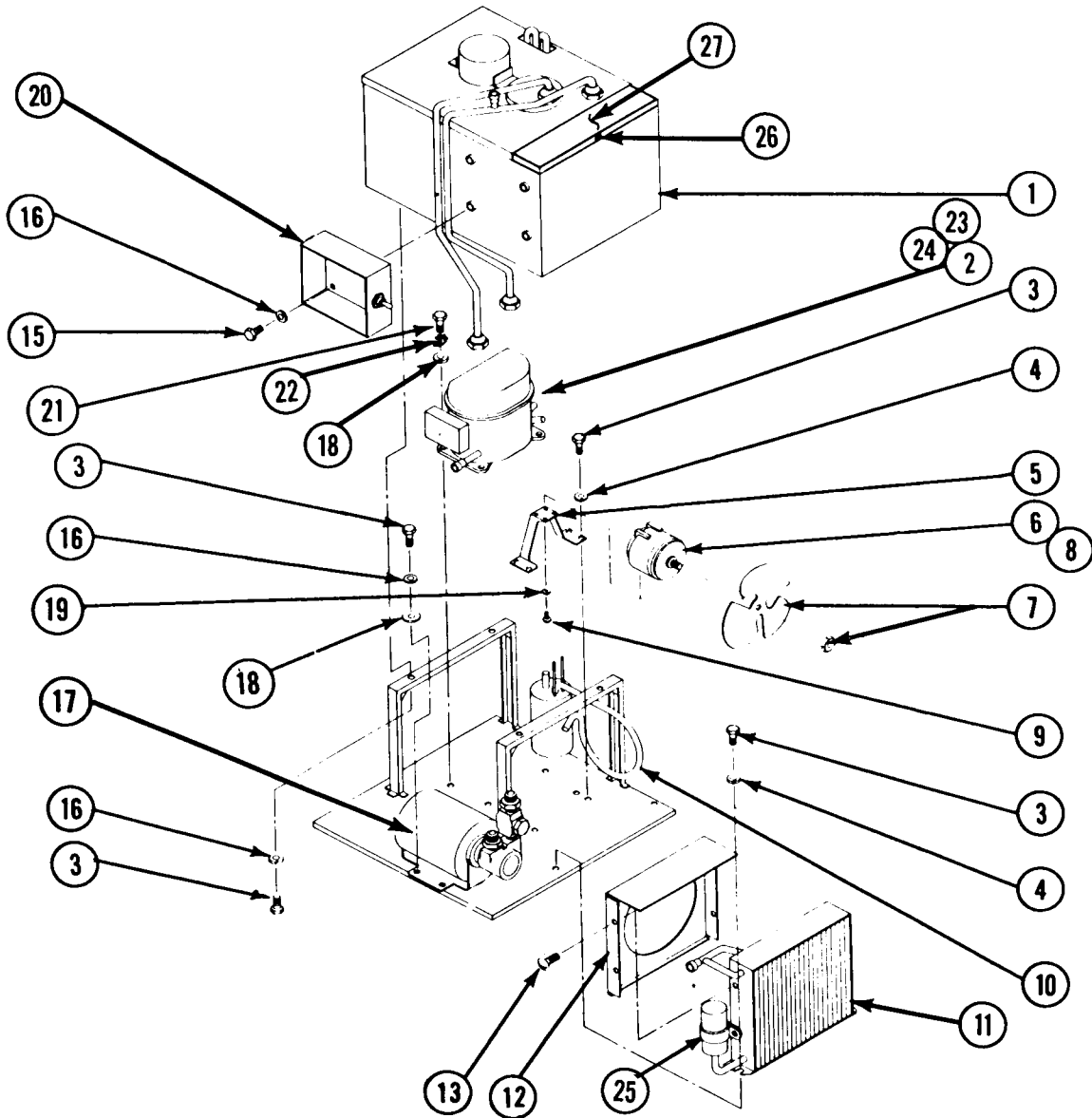
ITEM NO.	DESCRIPTION	PAINTED PART NO.	S.S. PART NO.
1.	Front Panel	A20048-000	A20048-001
2.	Side Panels	A20050-000	A20050-001
3.	Panel Strike	15-0411-00	15-0411-00
4.	Cabinet Catch	02-0836-00	02-0836-00

CONTROL BOX ASSEMBLY



ITEM NO.	PART NO.	DESCRIPTION
1.	12-1809-01	Transformer
2.	11-0368-01	Ice Differential Control
3.	12-0426-01	Switch
4.	12-0813-07	Terminal Board
5.	03-1403-31	Screw
6.	12-1213-10	Bushing
7.	12-1213-06	Bushing
8.	03-1403-17	Screw
9.	03-1407-02	Washer
10.	11-0368-00	Sensor Probe
11.	03-1404-07	Screw
12.	A20506-000	Sensor Probe Brkt.

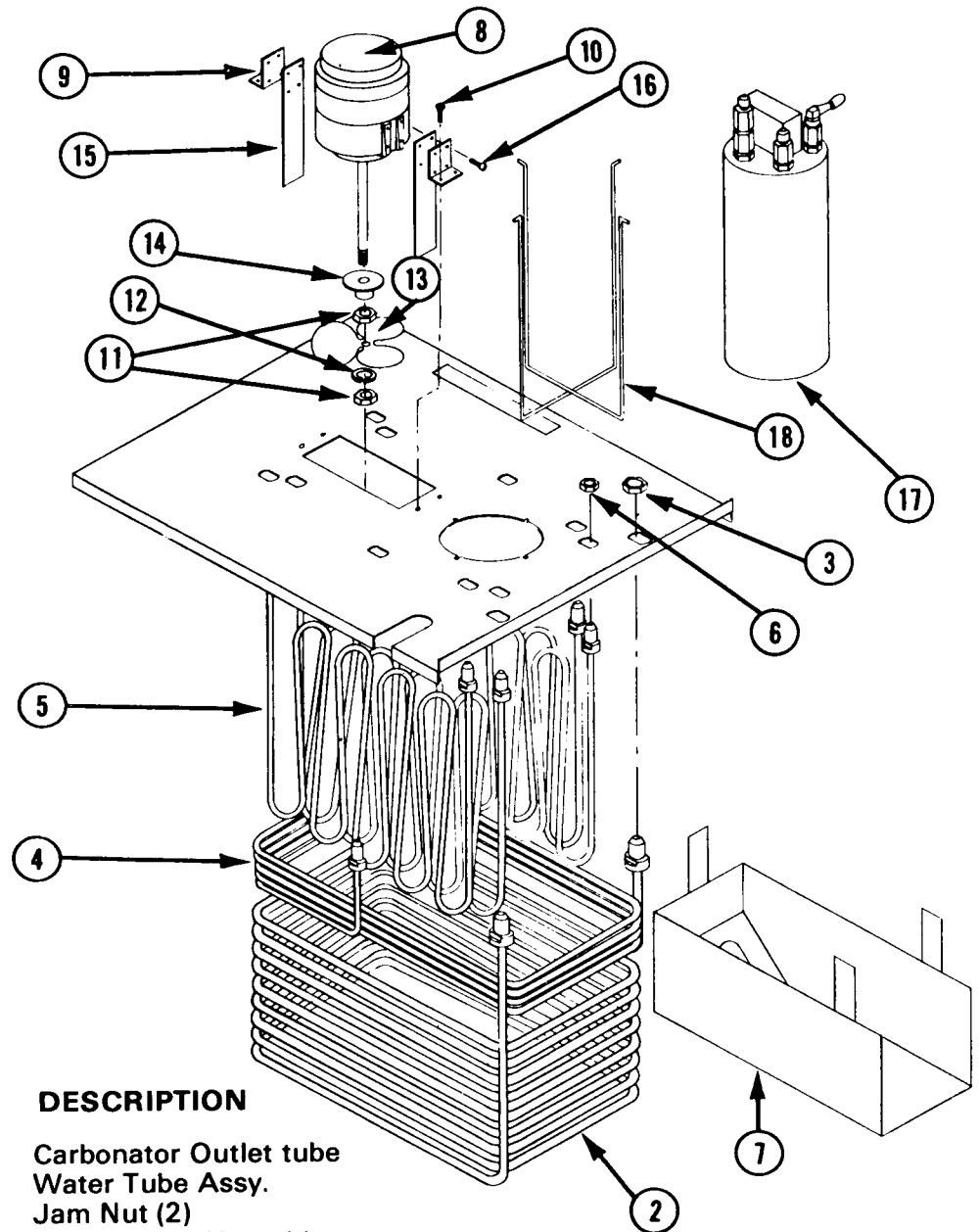
MACHINE ASSEMBLY



ITEM NO.	PART NO.	DESCRIPTION
1.	A23128-000	Evaporator Case
2.	18-0161-01	Compressor
3.	03-1405-03	Screw
4.	03-1417-09	Lockwasher
5.	18-0422-00	Mounting Bracket
6.	12-1575-01	Fan Motor
7.	18-0231-00	Fan Blade and Nut
*8.	12-1573-07	Fan Motor Wire
9.	03-1403-17	Machine Screw
10.	A20449-000	Accumulator Assy.
11.	18-0140-00	Condenser
12.	A15621-001	Shroud
13.	03-1404-15	Screw (4)
14.		
15.	03-1403-45	Screw
16.	03-1410-03	Lockwasher
17.	See Page 6	Pump Motor Assy.
18.	03-1407-05	Washer
19.	03-1417-03	Lockwasher
20.	See Page 2	Control Box
21.	03-1405-18	Screw
22.	03-1417-12	Lockwasher
23.	18-0161-20	Grommet
24.	18-0161-21	Sleeve
25.	02-0831-00	Drier
26.	03-1279-00	Wing Screw
27.	A22115-000	Ice Bank Lid
*28.	18-0161-02	Overload
*29.	18-0161-03	Relay
*30.	18-0161-05	Compositor

*Not Shown

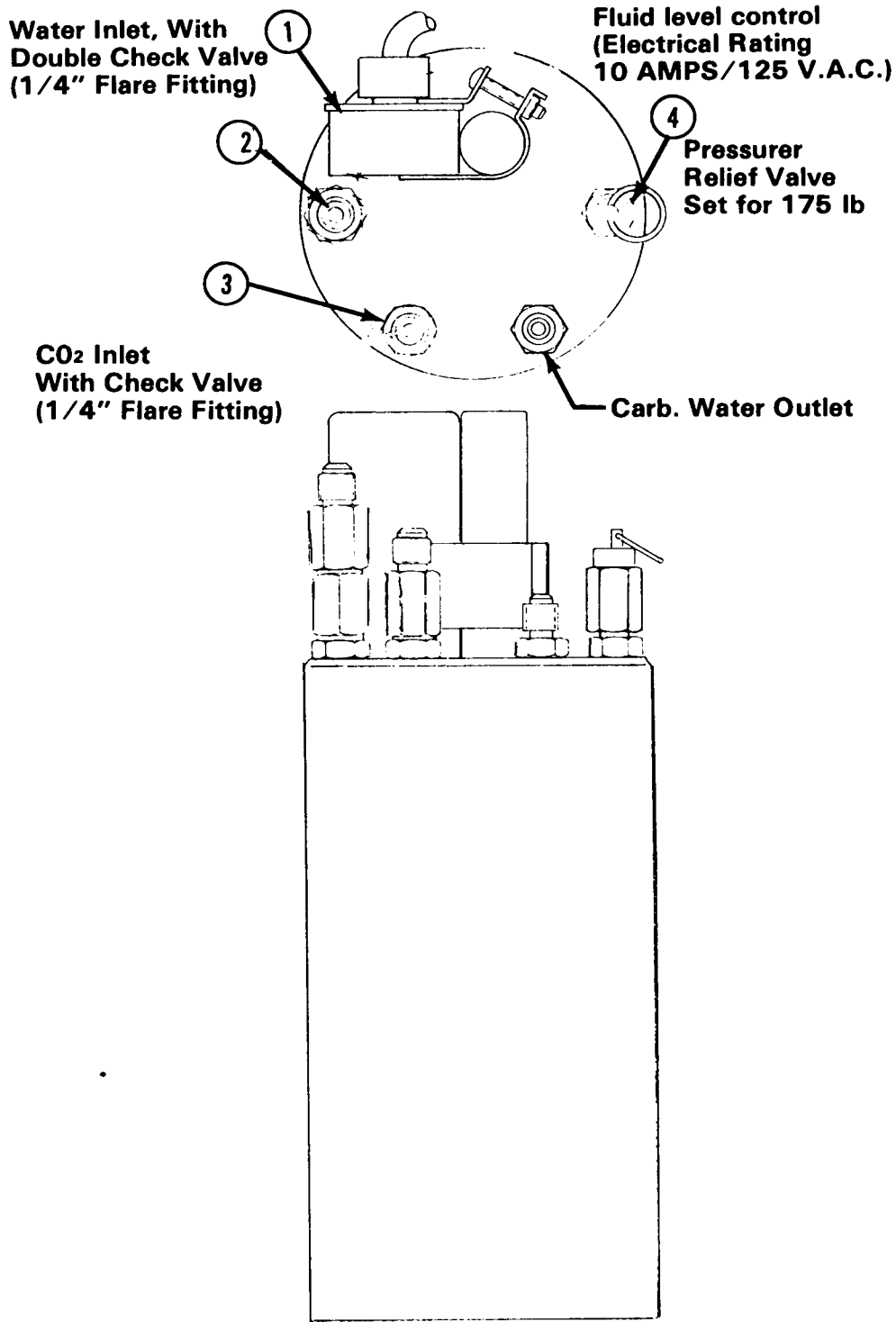
ICE BANK ASSEMBLY



ITEM NO.	PART NO.	DESCRIPTION
*1.	A20540-000	Carbonator Outlet tube
2.	A20070-000	Water Tube Assy.
3.	A21510-002	Jam Nut (2)
4.	A20418-000	Carbonated Water Line
5.	A20073-000	Syrup Coil Fab
6.	A21510-001	Jam Nut (10)
7.	A20415-000	Water Baffle Fab
8.	12-1563-01	Agitator Motor
9.	A20526-000	Motor Brace
10.	03-1404-10	Screws
11.	03-1470-00	Hex Nuts SS
12.	03-1471-00	Lock Washer
13.	A23423-000	Agitator Propeller
14.	13-0724-00	Water Slinger
15.	A22178-000	Cooling Plate, Motor
16.	03-1404-16	Screws
17.	See Page 5	Carbonator Tank
18.	A20065-000	Tank Bracket Fab Assy.
*19.	02-1249-00	Nylon Flare Washer use (2) W/Item #1

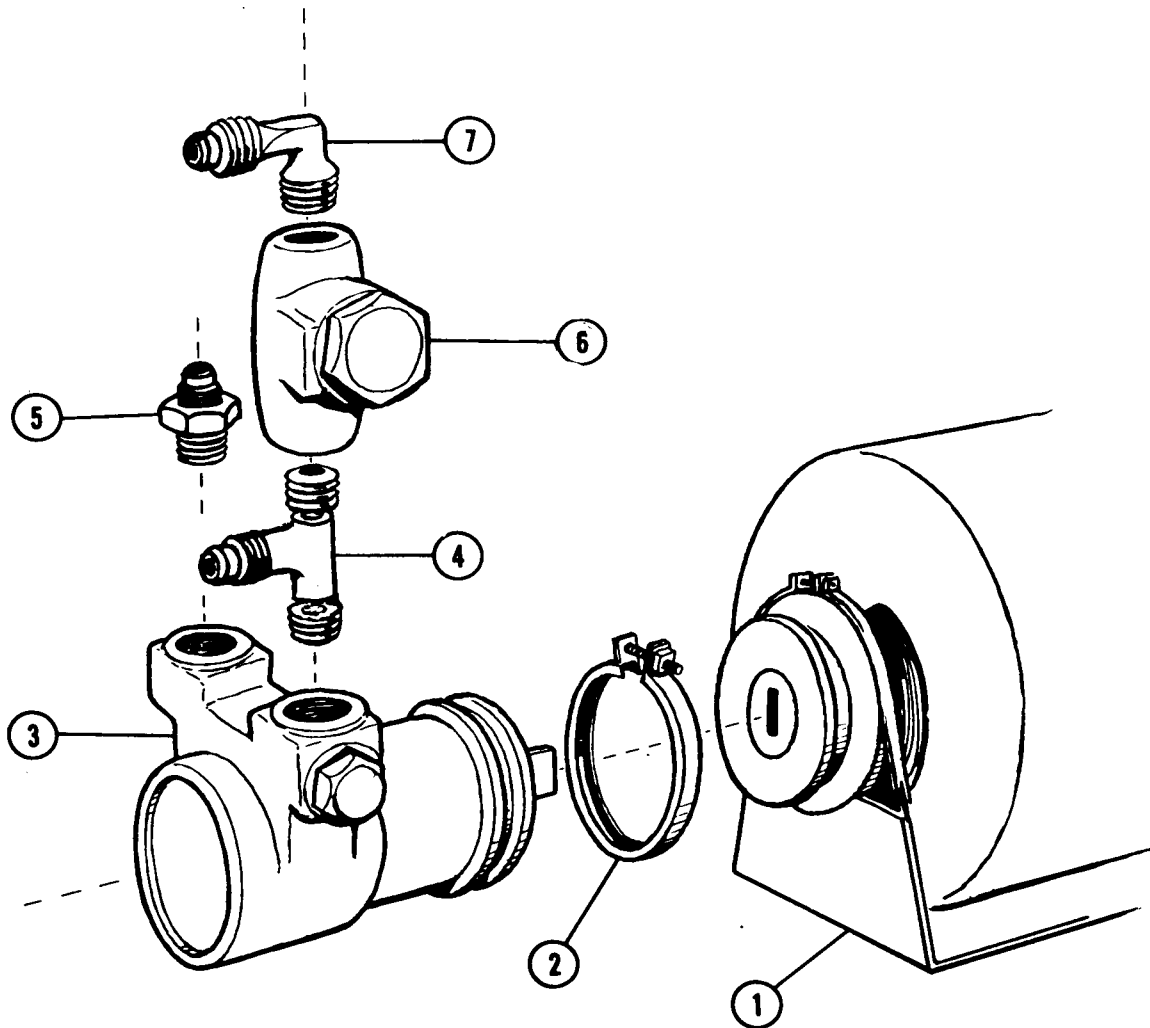
*Not Shown

CARBONATION TANK - KENCO NO. KK-901C



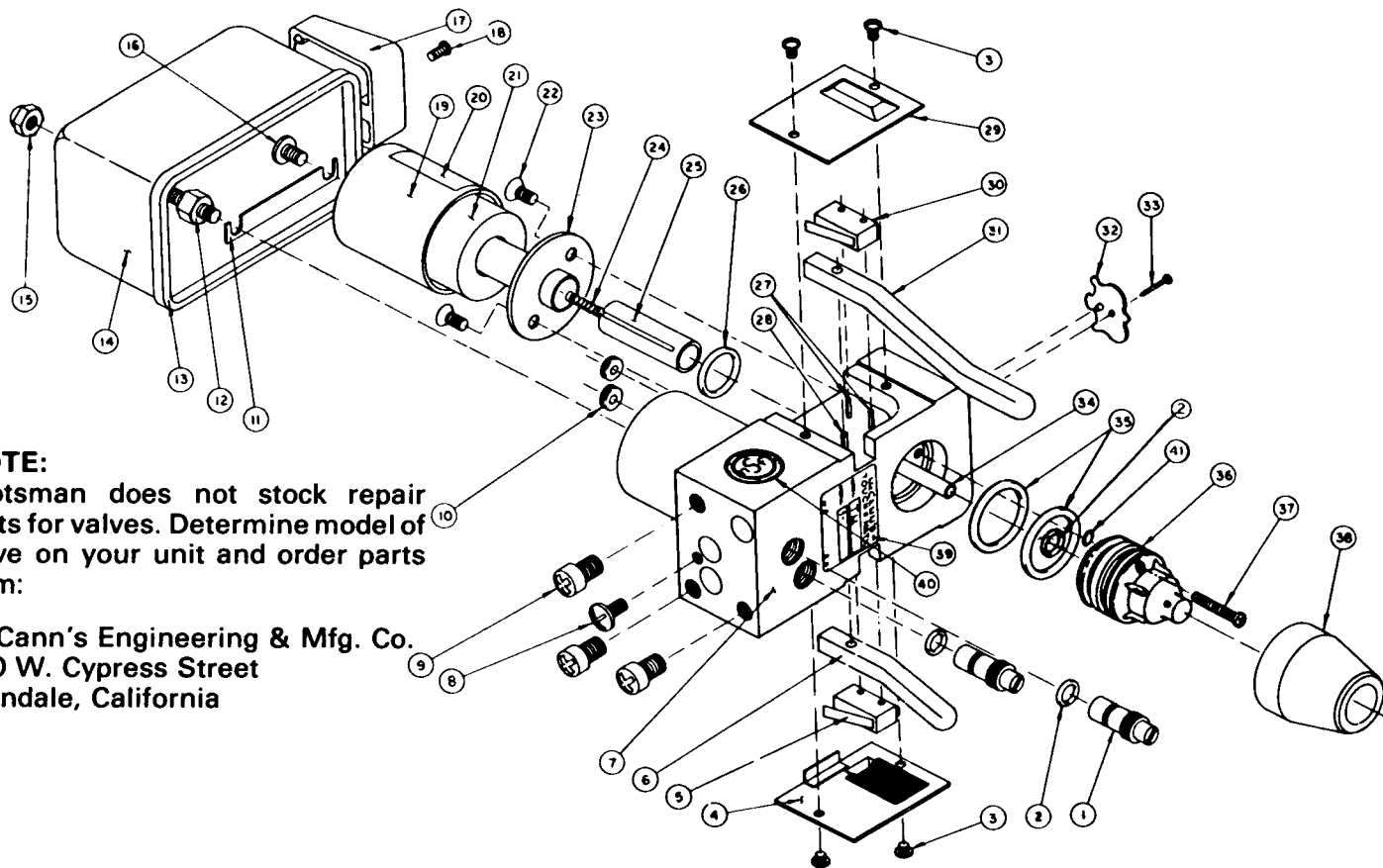
ITEM NO.	PART NO.	DESCRIPTION
1.	02-1975-50	Switch Assembly
2.	02-1975-51	Check Valve - Water
3.	02-1975-52	Check Valve - Gas
4.	02-1975-53	Relief Valve
5.	02-1975-00	Tank Complete

CARBONATOR PUMP ASSEMBLY



ITEM NO.	PART NO.	DESCRIPTION
1.	12-1339-01	Motor 115/60/1
2.	02-1527-00	Coupling Clamp
3.	02-1526-00	Pump
4.	16-0608-00	Tee 3/8" x 3/8" FNPT x 1/4" Fe Flare
5.	16-0355-00	Union 3/8 NPT x 3/8 Flare
6.	16-0162-01	Strainer
7.	16-0401-01	Half Union Elbow

TOUCH-O-MATIC FAUCET ASSEMBLY

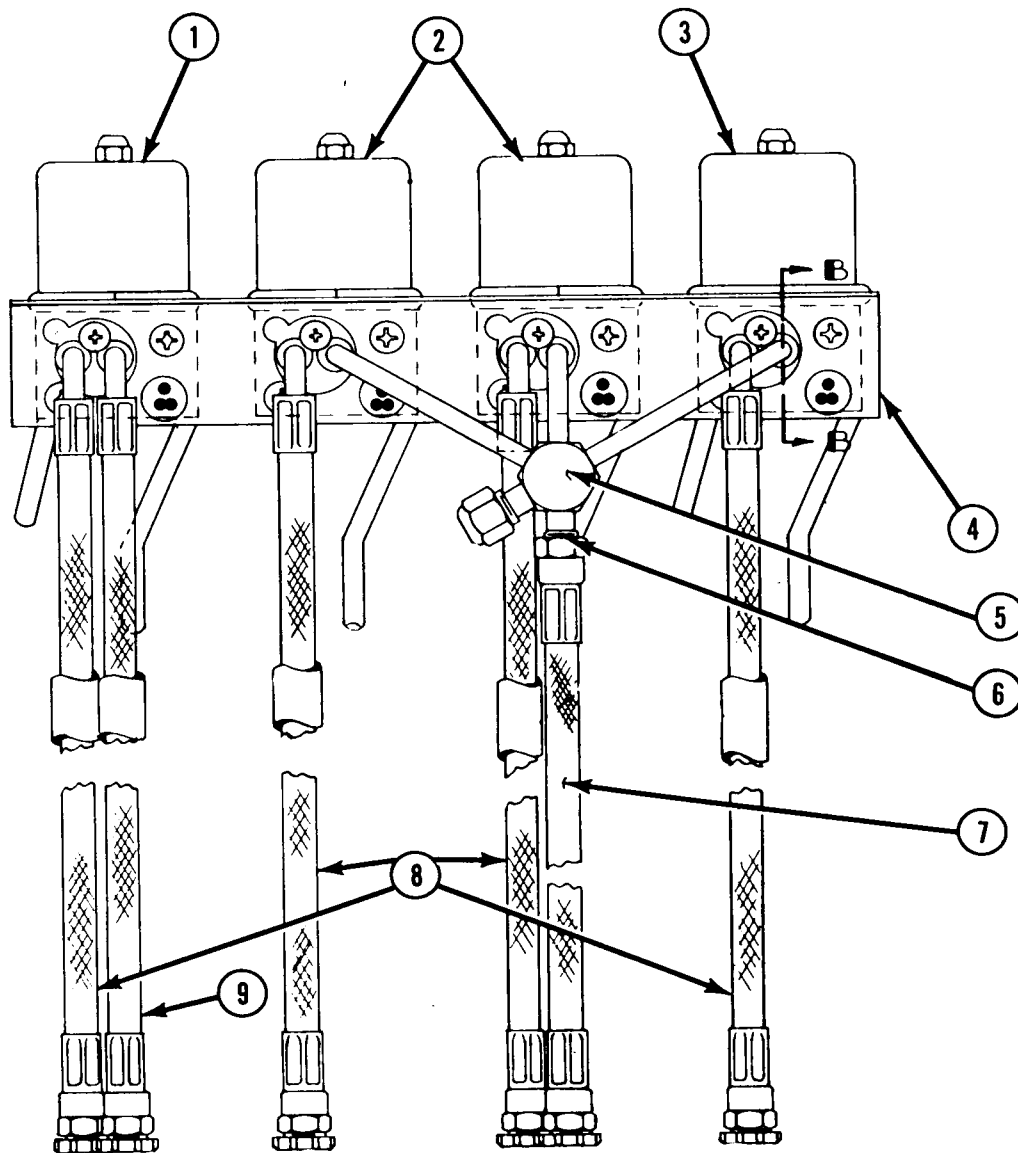


NOTE:
Scotsman does not stock repair parts for valves. Determine model of valve on your unit and order parts from:

McCann's Engineering & Mfg. Co.
430 W. Cypress Street
Glendale, California

ITEM NO.	PART NO.	DESCRIPTION	ITEM NO.	PART NO.	DESCRIPTION
1.	1	Metering Stem	21.	22	Coil (115 V.A.C.)
2.	2	"O" Ring, Metering Stem	21.	24	Coil (12 V.A.C.)
3.	3	Screw, Side Plate	21.	29	Coil (12 V.D.C.)
4.	152	Side Plate (Right Side)	21.	23	Coil (24 V.A.C.)
5.	82	Switch Assembly (3 Wires)	22.	31	Screw, Plunger Housing Retainer
6.	160	Lever, short	23.	32	Plunger Housing
7.	01-0001	Block, 20-1000	24.	38	Spring, Plunger
7.	01-0002	Block, 20-2000	25.	39	Plunger, Tough-O-Matic
7.	01-0003	Block, 20-4000	26.	40	"O" Ring Plunger Housing
7.	01-0004	Block, 20-1100-20-4100	27.	41	Roll Pin, Switch
7.	01-0005	Block, 20-2100-20-3100	28.	42	Roll Pin, Lever
8.	5	Screw, Inlet Retainer	29.	151	Side Plate (Left Side)
9.	6	Screw, Faucet Mounting	30.	137	Switch Assembly, 2 Wires, Standard
10.	7	Grommet, Coil Housing	30.	138	Switch Assembly, 2 Wires, Special
11.	8	Grounding Strap	31.	159	Lever, Long
11.	1508	Lockwasher in place of Part No. 8 on 12 V.D.C. and 20-4000	32.	49	Crest, McCANN'S
12.	9	Stud, Cover Mounting short	33.	50	Pin, Crest Retainer
13.	10	Gasket Cover	34.	09-0017	Tube, Syrup
14.	11	Cover (With Medallion Holes)	34.	89	Jet Tube
15.	13	Nut, Cover Retainer	35.	52	"O" Ring Diffuser
16.	14	Screw, Coil Housing	36.	09-0018	Diffuser
17.	15	Medallion (Specify Flavor)	37.	54	Screw, Diffuser Retainer
18.	16	Screw, Medallion Retainer	38.	09-0013	Pouring Spout, Red
19.	17	Coil Cover	38.	09-0015	Pouring Spout, Black
20.	20	Label (Specify Voltage) Coil	38.	09-0014	Pouring Spout, Clear
			39.	149	Gasket

KV5E-30A VALVE KIT ASSEMBLY



ITEM NO.	PART NO.	DESCRIPTION
1.	02-1205-19	Valve, two lever, non-carbonated
2.	02-1205-16	Valve, single lever, carbonated flavor
3.	02-1205-17	Valve, two lever, carbonated flavor & soda
4.	A20368-000	Valve Bracket
5.	02-2128-01	Carbonated Water Manifold
	13-0617-32	"O" Ring (3 required)
6.	02-1249-00	Washer (10 required)
7.	A20547-000	Carbonated Water Line
8.	A20546-000	Syrup Line