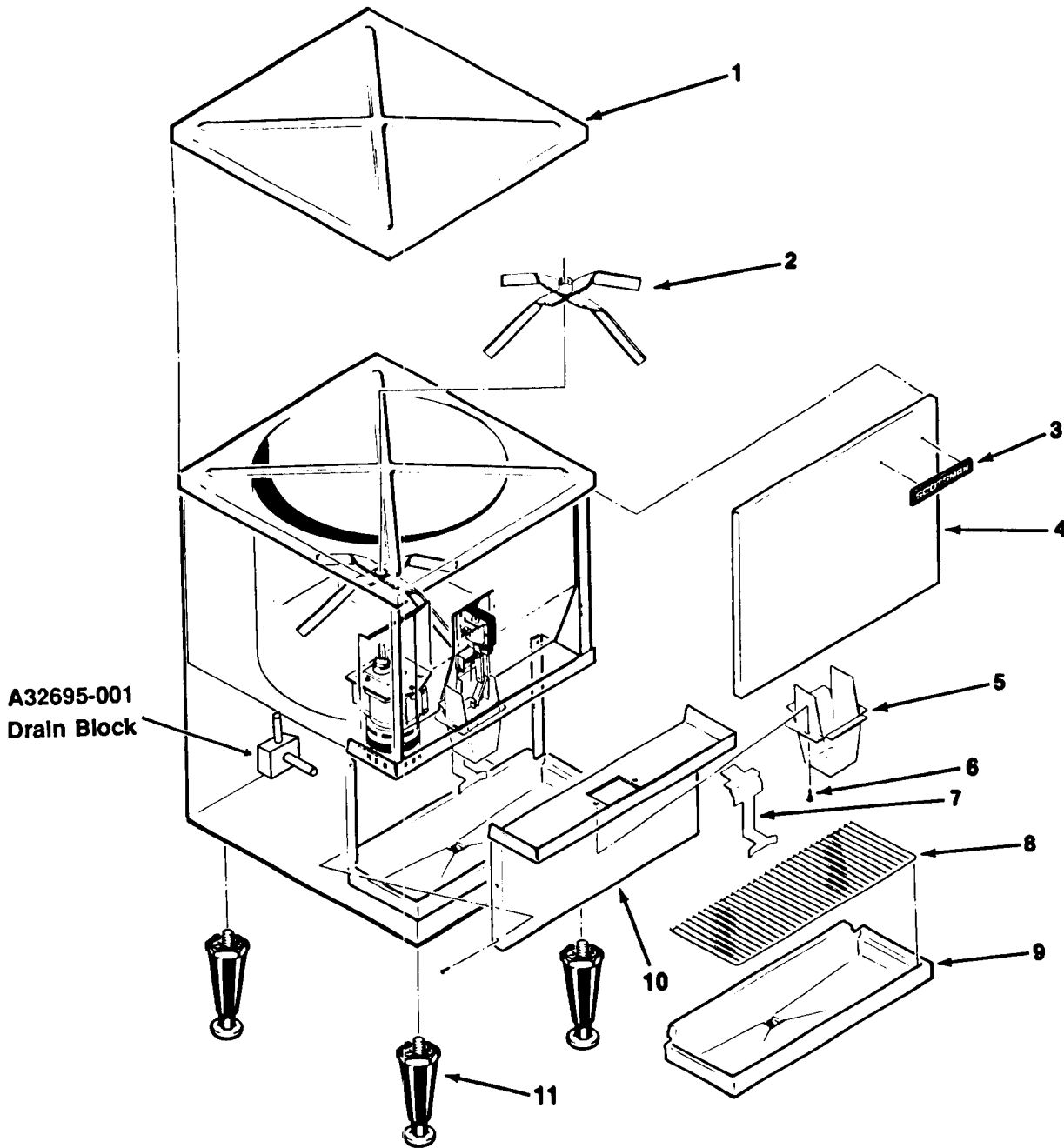
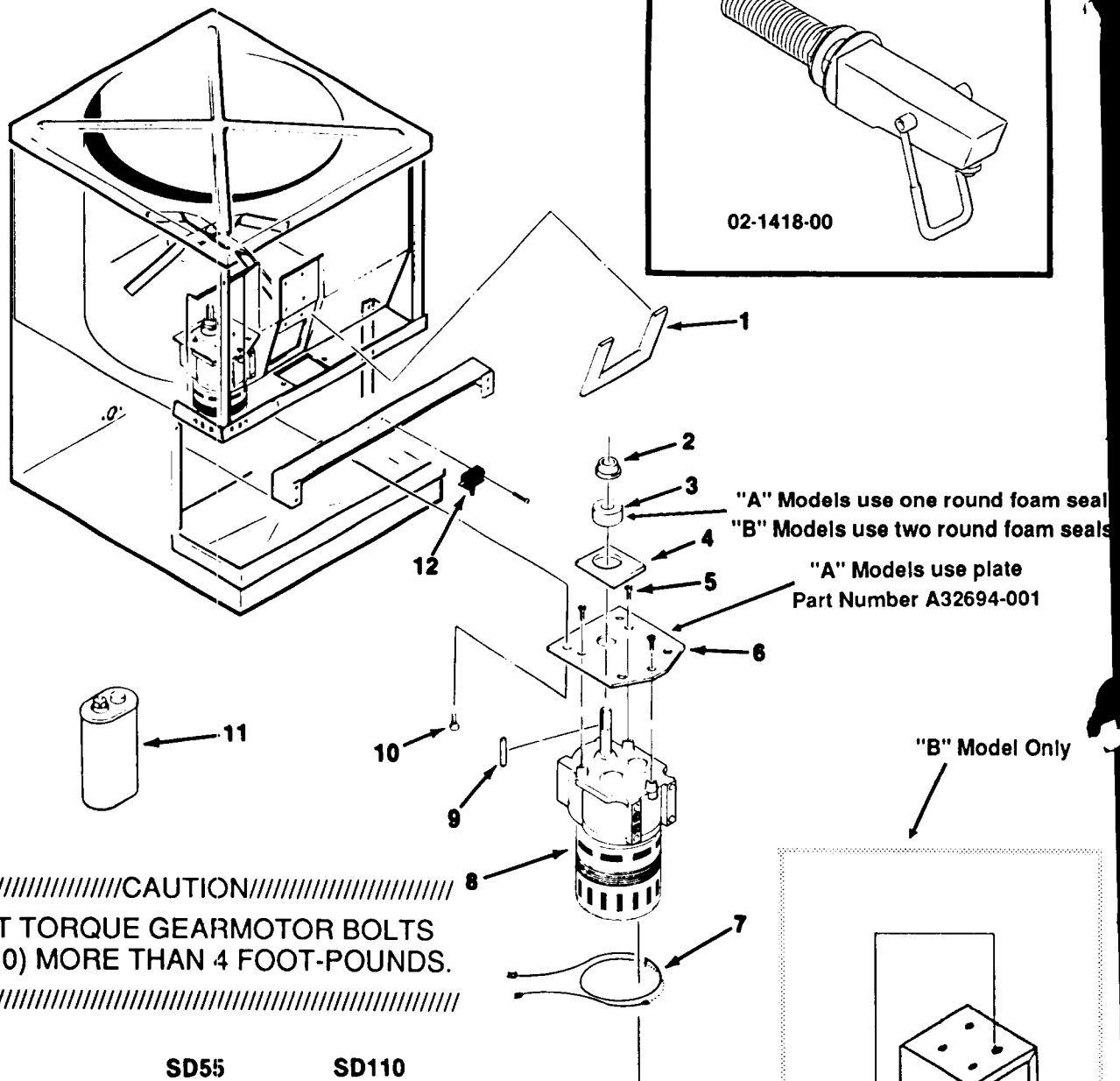
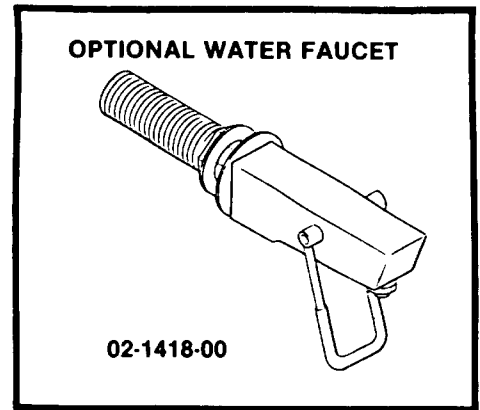


SD55 and SD110 ILLUSTRATED PARTS LISTING

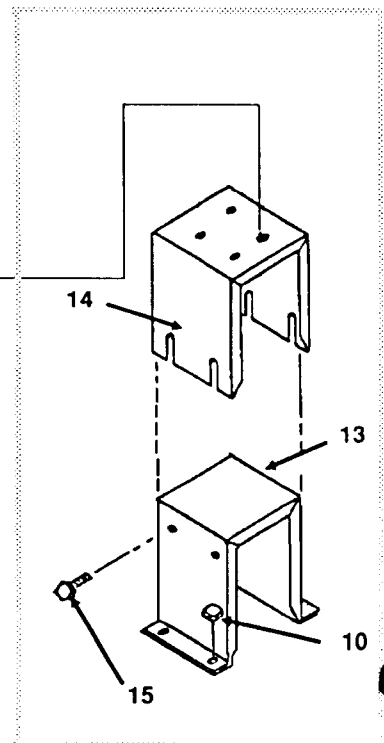


ITEM NUMBER	SD55 PART NUMBER	SD110 PART NUMBER	DESCRIPTION
1	A32666-001	A32667-001	Lid
2	A32714-001	A32715-001	Agitator
3	15-0718-00	15-0718-00	Scotsman Logo
4	A32702-001	A32703-001	Upper Panel
5	A33245-001	A33245-001	Chute
6	03-1403-16	03-1403-16	Screw
7	A32717-001	A32717-001	Depressor Plate
8	A32676-001	A32677-001	Sink Grill
9	A32722-001	A32723-001	Sink, Foamed
10	A32704-001	A32705-001	Splash Panel
11	A32678-001	A32678-001	Leg

SD55 and SD110 ILLUSTRATED PARTS LISTING

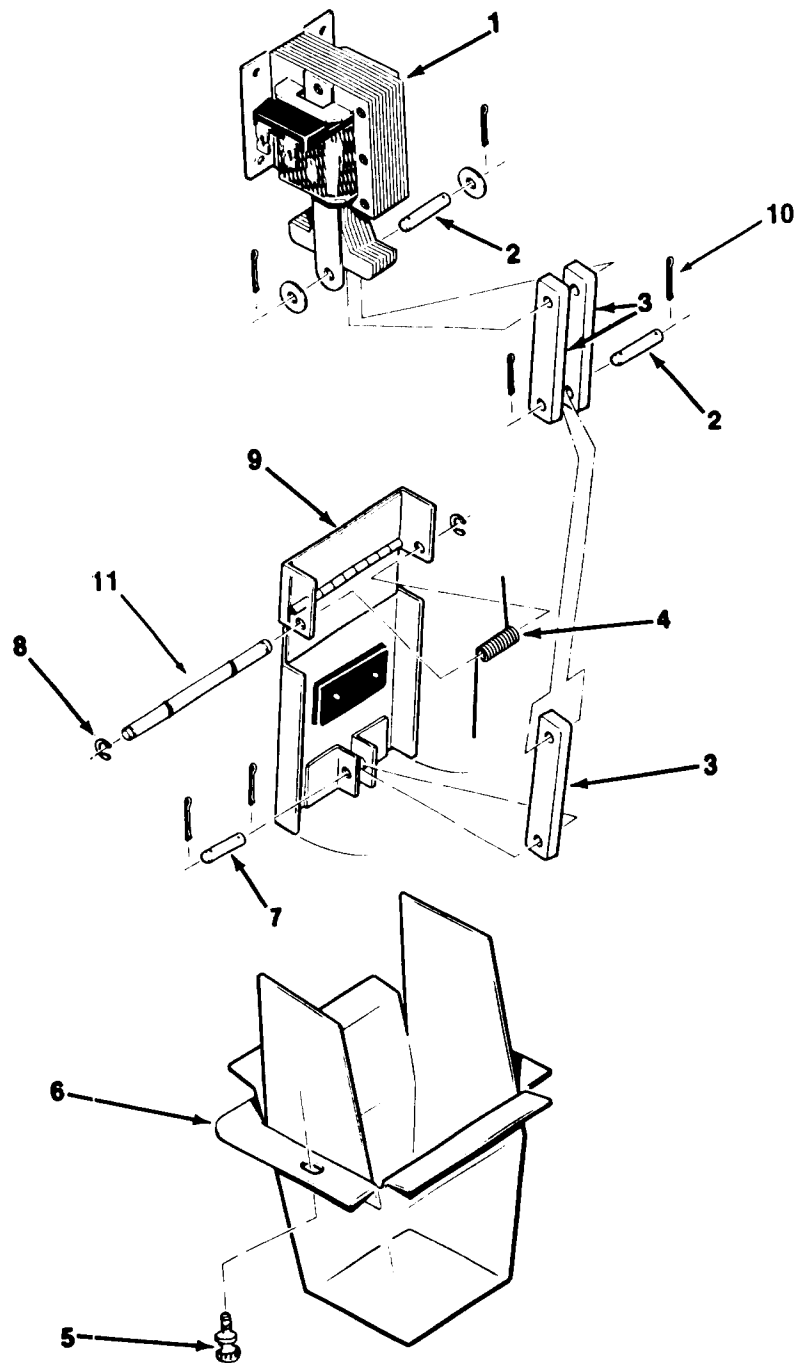


////////////////////CAUTION////////////////////
DO NOT TORQUE GEARMOTOR BOLTS
(ITEM 10) MORE THAN 4 FOOT-POUNDS.
////////////////////



ITEM NUMBER	SD55 PART NUMBER	SD110 PART NUMBER	DESCRIPTION
1	A32689-001	A32689-001	Door Gasket Seal
2	A32698-001	A32698-001	Seal
3	A32693-001	A32693-001	Foam Seal (Round)
4	A32692-001	A32692-001	Foam Seal
5	03-1418-15	03-1418-15	Screw
6	A34017-001	A34017-001	Plate
7	A32672-001	A32672-001	Gearmotor, Heater Gearmotor, Agitator
8	A32718-001	A32718-001	Key
9	A32741-001	A32741-001	Key
10	03-1406-08	03-1406-08	Nut
11	18-3701-01	18-3701-01	Capacitor
12	12-1570-00	12-1570-00	Dispensing Switch
13	A34013-001	A34013-001	Gearmotor Support-Bot.
14	A34014-001	A34014-001	Gearmotor Support-Top
15	03-1645-01	03-1645-01	Screw

SD55 and SD110 ILLUSTRATED PARTS LISTING



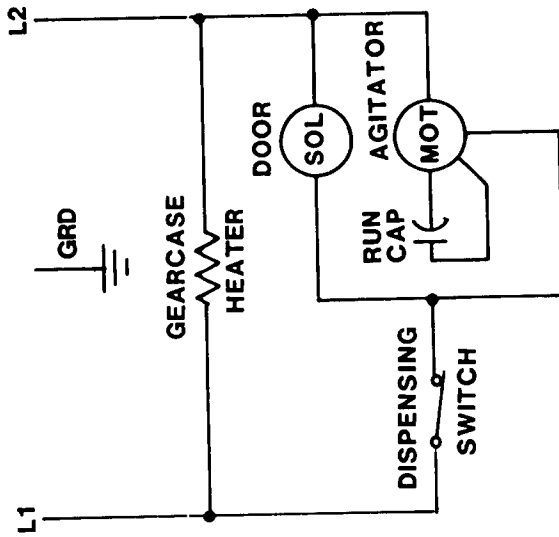
ITEM NUMBER	PART NUMBER	SD55 and SD110 DESCRIPTION	ITEM NUMBER	PART NUMBER	SD55 and SD110 DESCRIPTION
1	A32683-001	Door-Solenoid	7	A32687-001	Linkage pins-Small
2	A32685-001	Linkage pins-Medium	8	03-1539-09	"C" clip
3	A32688-001	Solenoid Linkage	9	A32713-001	Dispensing Door
4	A32690-001	Door Spring (1)	10	03-0396-01	Cotter pin
5	03-1403-16	Screws	11	A32684-001	Long Axle
6	A33245-001	Ice Chute			

SD55 and SD110 PARTS LIST

PART NO.	DESCRIPTION	SD-55S USES	SD-110S USES
A32666-001	Plastic Lid	1	
A32667-001	Plastic Lid		1
03-1403-16	Screw	2	2
A32676-001	Sink Grille	1	
A32677-001	Sink Grille		1
A32718-001	Agitator Motor	1	1
A32672-001	Agitator Motor Heater	1	1
A32673-001	Spring for Heater	1	1
A32722-001	Plastic Sink — Foamed	1	
A32723-001	Plastic Sink — Foamed		1
A32714-001	Agitator Arm	1	
A32715-001	Agitator Arm		1
A32682-001	Dispensing Switch	1	1
A32693-001	Motor Shaft Seal Round	2	2
A32683-001	Door Solenoid	1	1
A32688-001	Solenoid Links	3	3
A32713-001	Dispenser Door	1	1
A32690-001	Spring for Dispenser Door	1	1
A32689-001	Gasket for Dispenser Door	1	1
18-3701-01	Run Capacitor — Motor	1	1
A32678-001	4 inch Cabinet Legs	4	4
A32717-001	Depressor Plate	1	1
A32741-001	Woodruff Key — Agitator Arm Coupling	1	1
A33245-001	Chute	1	1
A32685-001	Linkage Pins — Med.	2	2
A32687-001	Linkage Pins — Short	1	1
A32698-001	Motor Shaft Seal Only (Teflon)	1	1
03-1539-09	C Clip for Door Rod	4	4
A32692-001	Square Motor Gasket	1	1
A34017-001	Plate	1	1
03-1406-08	Nut	4	4
03-1418-15	Machine Screw, Motor Plate	3	3
A32703-001	Upper Front Panel		1
A32705-001	Lower Splash Panel		1
A32702-001	Upper Front Panel	1	
A32704-001	Lower Splash Panel	1	
A32684-001	Door Rod Long	1	1
A34013-001	Gearmotor Support-Bot.	1	1
A34014-001	Gearmotor Support-Top	1	1

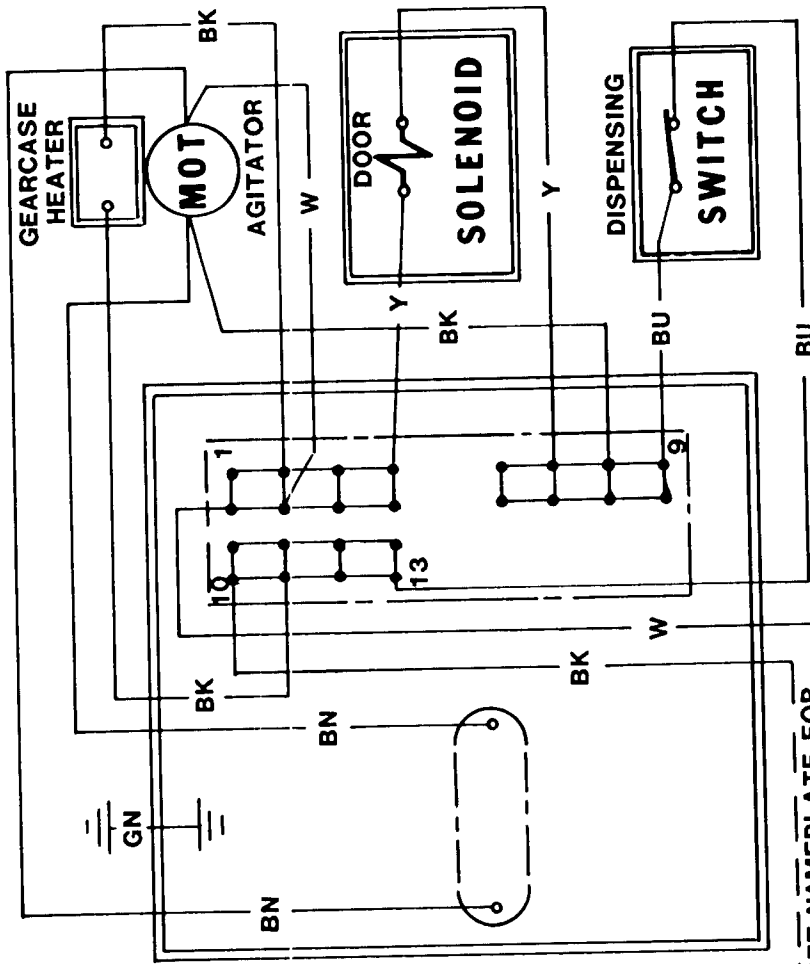
SD55 and SD110 WIRING DIAGRAMS

USE COPPER CONDUCTORS ONLY



A32819-001

THIS UNIT MUST BE GROUNDED



**SEE NAMEPLATE FOR
SUPPLY VOLTAGE AND
MAX. FUSE SIZE**

**SCHEMATIC DIAGRAM SHOWN WITH UNIT
IN VEND CIRCUIT MODE.**