

SD60/SSD100 PARTS ILLUSTRATIONS AND PARTS LISTS

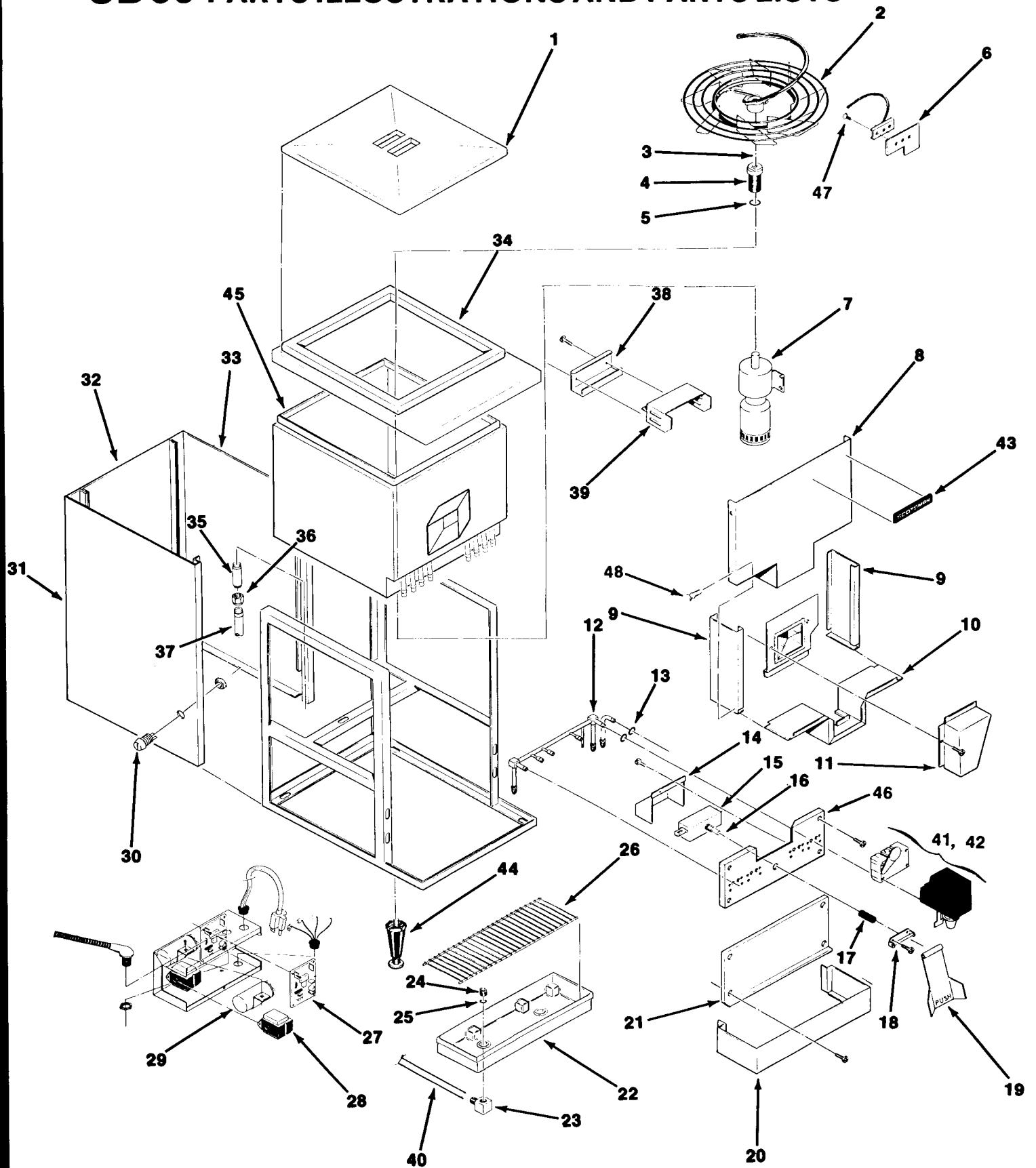
This section contains the Parts Illustrations and Parts Lists for both the SD60 and SD100 dispensers.

A *No Number* designation, when used in the part number column indicates the unit is not available from SCOTSMAN as an assembly. This designation is used only for clarity of division in making the list.

When ordering parts of assemblies, to avoid costly delays and errors in shipment, give the part number, the complete description shown in the list, and the quantity of each part of assembly required.

A wiring diagram for the SD60 and SD110 is included at the end of this section.

SD60 PARTS ILLUSTRATIONS AND PARTS LISTS

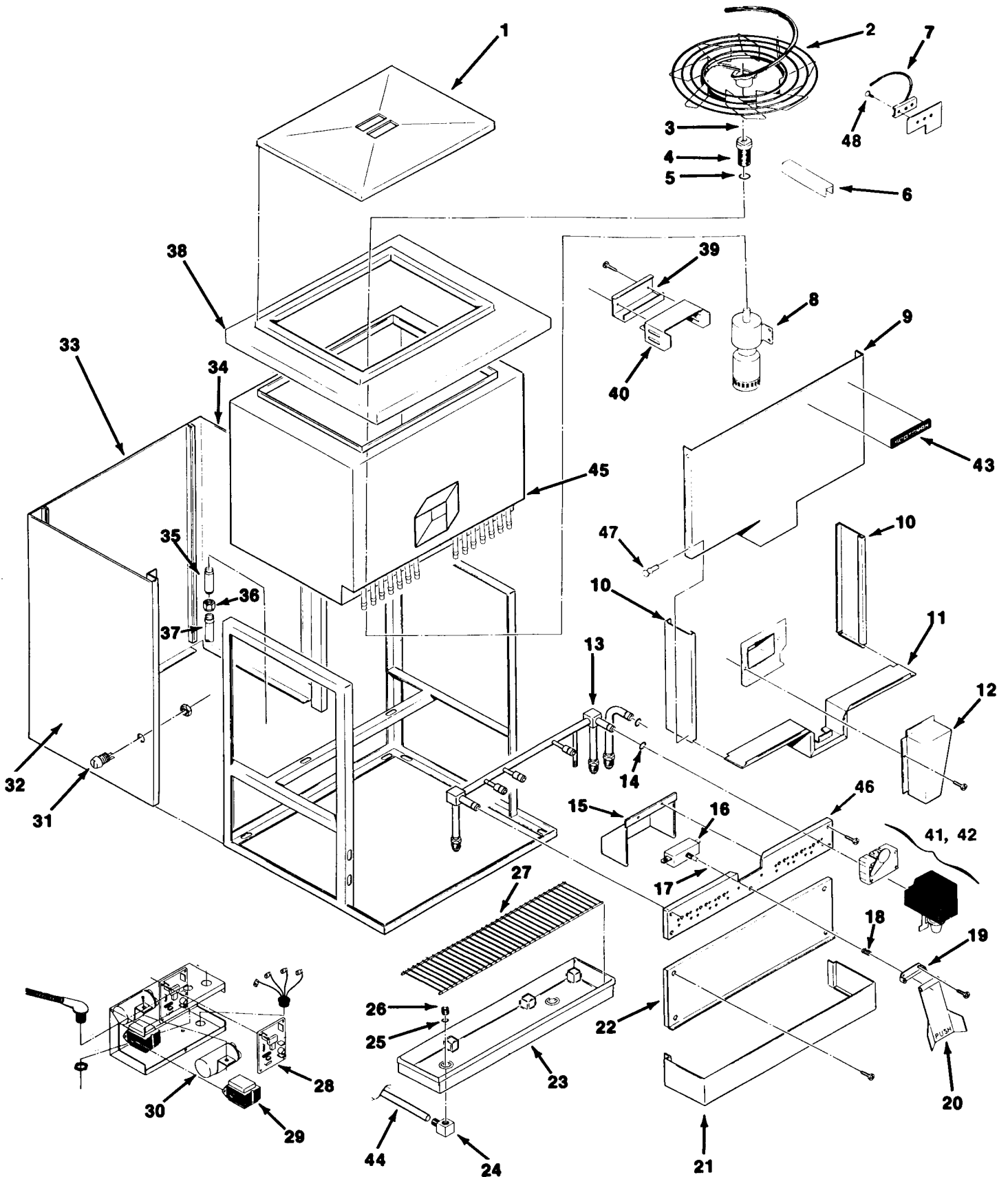


SD60 PARTS ILLUSTRATIONS AND PARTS LISTS

SD60

ITEM NUMBER	PART NUMBER	DESCRIPTION
1	A33130-001	Lid
2	A33131-001	Rotator
3	A33132-001	O-Ring
4	A33133-001	Bearing Shaft
5	A33134-001	O-Ring
6	A33136-001	Shelf
7	A33137-001	Motor
8	A33178-001	Front Panel
9	A33179-001	Side Panel L & R
10	A33180-001	Access Panel
11	A33181-001	Chute
12	A33182-001	Manifold
13	A33143-001	O-Ring
14	A33144-001	Switch Cover
15	A33145-001	Switch
16	A33146-001	Switch Boot
17	A33147-001	Spring
18	A33148-001	Lever Bkt.
19	A33149-001	Lever
20	A33183-001	Tray - Skirt
21	A33184-001	Splash Panel
22	A33185-001	Drain Tray
23	A33153-001	Drain Fitting
24	A33155-001	Drain Top
25	A33154-001	Washer
26	A33186-001	Grill
27	A33157-001	Circuit Board
28	A33158-001	Transformer
29	A33159-001	Capacitor
30	A33160-001	Lock & Switch (with Key)
31	A33187-001	L. Side Panel
32	A33188-001	Rear Panel
33	A33189-001	R. Side Panel
34	A33190-001	Rim Ass'y
35	A33164-001	Nipple
36	A33165-001	Adaptor
37	A33166-001	Drain Hose (72")
38	A33168-001	Hook
39	A33169-001	Adjuster
40	A33173-001	Drain Hose
41	A33170-001	Valve & Valve Block with Lever
42	A33171-001	Valve & Valve Block w/o Lever
43	15-0718-00	Logo
44	A33191-001	Leg
45	A33192-001	Bin & Cold Plate
46	A33193-001	Valve Panel
47	A33177-001	Thumb Screw
48	A33176-001	Thumb Screw

SD100 PARTS ILLUSTRATIONS AND PARTS LISTS

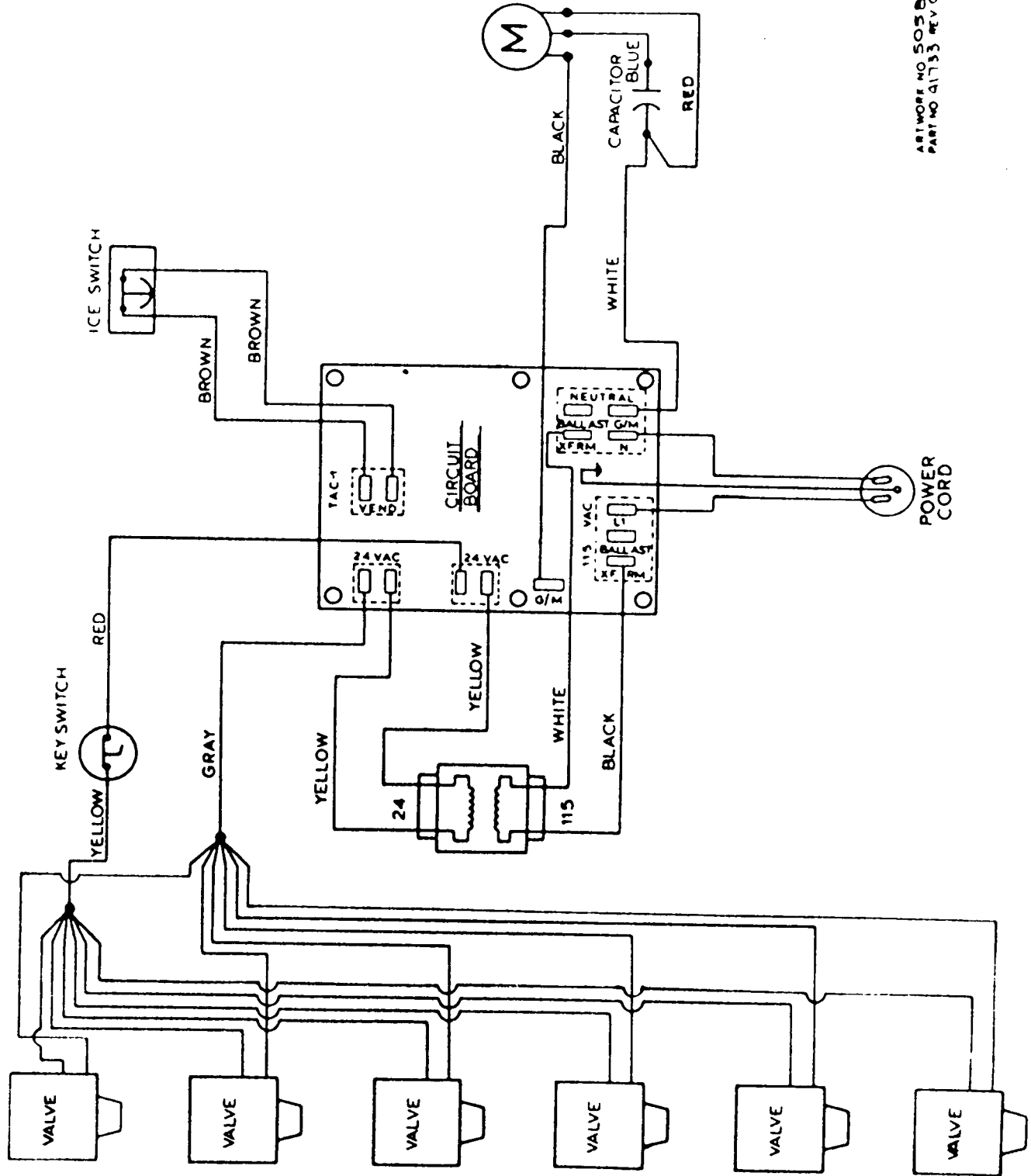


SD100 PARTS ILLUSTRATIONS AND PARTS LISTS

SD100

ITEM NUMBER	PART NUMBER	DESCRIPTION
1	A33130-001	Lid
2	A33131-001	Rotator
3	A33132-001	O-Ring
4	A33133-001	Bearing
5	A33134-001	O-Ring
6	A33135-001	Drain Screen
7	A33136-001	Shelf
8	A33137-001	Motor
9	A33138-001	Front Panel
10	A33139-001	Side Panel
11	A33140-001	Access Panel
12	A33141-001	Chute
13	A33142-001	Manifold
14	A33143-001	O-Ring
15	A33144-001	Switch Cover
16	A33145-001	Switch
17	A33146-001	Switch Boot
18	A33147-001	Spring
19	A33148-001	Lever Bkt.
20	A33149-001	Lever
21	A33150-001	Tray - Skirt
22	A33151-001	Splash Panel
23	A33152-001	Drain Tray
24	A33153-001	Drain
25	A33154-001	Washer
26	A33155-001	Drain Top
27	A33156-001	Grill
28	A33157-001	Circuit Board
29	A33158-001	Transformer
30	A33159-001	Capacitor
31	A33160-001	Lock & Key
32	A33161-001	Left Side Panel
33	A33162-001	Back Panel
34	A33163-001	Right Panel
35	A33164-001	Nipple
36	A33165-001	Adaptor
37	A33166-001	Drain Tube (144")
38	A33167-001	Rim Ass'y
39	A33168-001	Hook
40	A33169-001	Adjuster
41	A33170-001	Valve & Valve Block with Lever
42	A33171-001	Valve & Valve Block w/o Lever
43	15-0718-00	Logo
44	A33173-001	Drain Tube
45	A33174-001	Bin/Cold Plate
46	A33175-001	Valve Panel
47	A33176-001	Thumb Screw
48	A33177-001	Thumb Screw

SD60/SD100 WIRING DIAGRAM



ARTWORK NO. 50305
PART NO. 41733 REV. C