



*ISTRUZIONI PER L'USO E LA MANUTENZIONE  
USE AND MAINTENANCE*

*INSTRUCTIONS D'EMPLOI ET D'ENTRETIEN  
GEBRAUCHS UND BEDIENUNGS ANLEITUNGEN  
INSTRUCCIONES DE EMPLEO Y MANUTENCIÓN*

VETRINA PER GELATO MANTECATO  
SCOOP ICE CREAM DISPLAY  
VITRINE CRÈME-GLACÉES À VRAC  
VITRINE FÜR HANDWERKLICHES EIS  
VITRINA PARA HELADO MANTECADO

**AFRIKA - ASIA - EDERA - FENICE**



La **IARP s.r.l.** è lieta di annoverarLa fra i suoi Clienti e confida che la qualità di questo prodotto soddisfi pienamente le Sue aspettative. Questo apparecchio è stato progettato accuratamente perchè possa fornire le massime prestazioni nelle migliori condizioni di sicurezza ed economia. Durante le fasi produttive sono stati eseguiti numerosi e severi controlli. Non sono pertanto necessarie cure particolari o interventi di manutenzione da parte di personale specializzato; seguendo i nostri consigli e le istruzioni che troverà all'interno otterrà da questa apparecchiatura la massima resa per lungo tempo. Nel ringraziarLa per la preferenza accordataci voglia gradire i nostri più cordiali saluti.

**IARP s.r.l.** is happy to count you among its customrs and confides that the quality of this product completely satisfies your expectations. This machine has been engineered in order to give the maximum performances with the best conditions of reliability and economy. Several strict test were carried out during the productive phases in order to ensure all the above characteristics. It is easy to use and its regular maintenance operations do not require special procedure or the reparings of specialized personnel. Following the instructions given herein you will certainly obtain from this equipment excellent performances for a long time. Once again thank you for choosing an equipment.

La société **IARP s.r.l.** est heureuse de vous avoir parmi ses clients et souhaite que la qualité de ce produit puisse vous satisfaire entièrement. Cet appareil a été progeté soigneusement pour pouvoir fournir toutes les prestations dans les milleures conditions de sécurité et d'économie. De nombreux contrôles sévères ont été effectués pendant les phases de production. Il nécessite donc d'aucune intervention d'entretien de la part de personnel spécialisé. Tout en suivant nos conseils et les instructions que vous trouverez ci-après, vous obtiendrez par cet appareil le millieur rendement pour une longue période. En vous remerciant pour la préférence que vous avez bien voulu nous réserver, veuillez agréer nos salutations les plus distinguées.

Die **IARP s.r.l.** freut sich, Sie zu ihren Kunden zählen zu dürfen und verläßt sich darauf, daß dieses Produkt ihre Erwartungen vollständig zufriedenstellt. Dieses Gerät wurde sorgfältig geplant, damit es ihnen Höchstleistungen unter den besten Voraussetzungen der Sicheireit und Ökonomie bringt. Während den Produktionsphasen wurden zahlreiche und strenge Kontrollen durchgeführt. Es sind demzufolge keine spezielle Pflege oder Wartungseingriffe von Fachleuten nötig. Wenn Sie unsere Ratschläge und die Anweisungen, die Sie nachfolgend finden werden, befolgen, werden Sie vom diesem Gerät die höchste Leistungsfähigkeit auf lange Zeit erhalten. Wir danken Ihnen für den uns gewährten Vorzug und grüssen Sie freundlich.

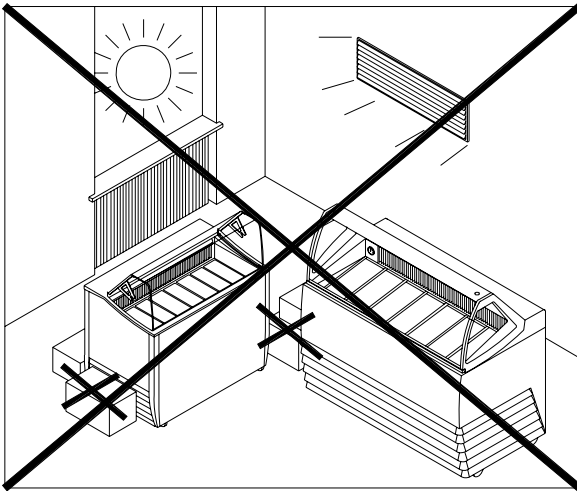
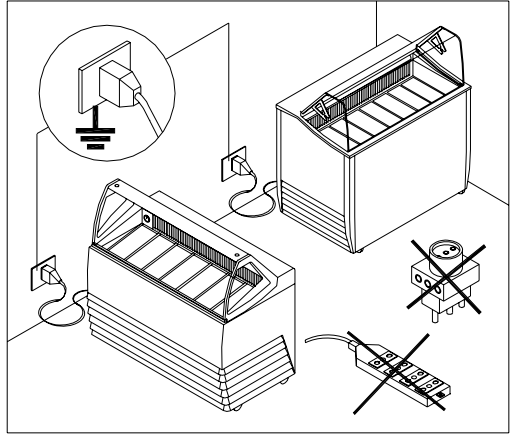
La **IARP s.r.l.** se complace en poder contar con Ud. entre sus Clientes y confia en que la calidad de este producto satisfacerà ampliamente sus expectativas. Este aparato ha sido proyectado especialmente para ofrecer las mejores prestaciones con la máxima seguridad y economia. Durante la fabricaciòn ha sido sometido a numerosos y estrictos controles. Por esta razòn, no se necesitan cuidados especiales o intervenciones de manutenciòn por parte de personel especializado. Siguiendo nuestros consejos y las instrucciones contenidas en el presente manual, obtendràel màaximo rendimiento durante largo tiempo. Agradeciéndole su preferencia, le enviamos nuestros màs cordiales saludos.

**INSTALLATION**

Take out packaging and clean all the cabinet using warm water together with 5% of neutral soap then dry it with a soft-cloth; for the glass parts only use specific products, avoiding the use of water which can leave on the glasses limestone residues. Check that the voltage on the identification plate is the same as that of the network.

**THE ELECTRICAL SUPPLY LINE TO WHICH THE REFRIGERATOR WILL HAVE TO BE CONNECTED IS TO BE PROTECTED BY A VERY SENSITIVE DIFFERENTIAL SWITCH (Rc=16A, Dc=30mA); IT IS ALSO TO BE LINKED TO THE GENERAL EARTHING PLANT.**

Earthing is necessary and compulsory by law. Absolutely never use reduction units, patch cords, adapters or multiple socket outlets to connect the counter. **DIRECTLY connect the equipment to the mains.** The manufacturer disclaims all responsibility for any damage to people or things due to incorrect observance of this rule.



Place the counter in horizontal position on a clean surface, away from sources of heat (radiators, ovens, etc) included sun rays and away from draughts (for example fans, air conditioning ducts). It is necessary that the condensing unit obtains a good circulation of air around it. Also the area around the condensing unit should not be obstructed by boxes or other objects.

Do not install the unit in open places and do not expose it to rain.

**Never use electrical equipment in the refrigerated compartment.**

**Never place containers of liquid on or immediately above the ticket counter; should the content spill out, it would damage the counter.**

Install and position the unit in such a way so as to allow easy access to the power socket.

**THE REFRIGERATOR IS NOT SUITABLE FOR WORKING IN DANGEROUS ENVIRONMENT WITH RISK OF FIRE, EXPLOSIONS OR RADIATION.** Operation is regular with ambient temperature indicated on **technical data plate**.

**This equipment must be used exclusively for the preservation, the display and the sale of ice cream in special bins only.**

## ***PERIODICAL MAINTENANCE***

**Any further adjustments on the refrigerator necessarily require the electric plug to be removed.** Check periodically the supply cable in order to detect any damage. If the power supply cable is damaged, don't use the equipment and don't try to repair it: to prevent any risk, it must be replaced by the manufacturer, by a member of the after-sales service staff, or anyway by a person having similar qualifications. In any case, none of the protective elements (the grill, the carter) must be removed by non qualified staff. Absolutely avoid using the refrigerator without such protection.

**The replacement of neon tube must be carried out only by an Authorized Service Center.**

Periodically remove from the condenser unit the impurity (dust and deposit) which remain among the fins of the condenser, obstructing a good circulation of the air. A dirty condenser reduces the performance of the equipment, increasing the energy consumption.

Cleaning should be carried out with a soft brush or preferably with a vacuum cleaner. **The manufacturer recommends that this operation be carried out only by an Authorized Technician.**

For a good preservation of the cabinet's body a **periodical cleaning is necessary.**

**EXTERNAL BODY:** When necessary, the external body should be cleaned with a cloth and a **neutral soap** and water solution.

**STAINLESS STEEL SURFACES:** wash with warm water and mild detergent, rinse well and dry with soft cloth. **Avoid scouring pads etc. which will spoil the finish of the stainless steel.**

**SURFACES IN PLASTIC MATERIAL:** wash with warm water and mild detergent, rinse well and dry with soft cloth; **under no circumstances should alcohol, methyated spirits or solvents be used.**

**GLASS SURFACES:** only use products specifically designed for glass cleaning; **It is not advisable to use ordinary water which can leave a film of calcium on the surface of the glass.**

## ***DEFROSTING AND TANKS CLEANING***

These units make an automatic defrosting **in the displaying tank.**

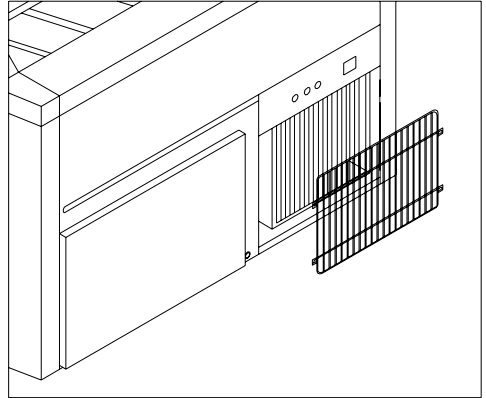
The **storage compartment** should be defrosted when frost on the walls has a thickness of more than 5 mm.

We recommend to make the defrosting of storage compartment and, at the same time, the cleaning of displaying tank; proceed as follows:

- 1) Store all the products in an other refrigerator at  $-18^{\circ}\text{C}$ .
- 2) Switch off the group using main switch of control panel and unplug the unit.
- 3) Before cleaning the inside temperature must be equal to the ambient temperature; place a container of warm but not boiling water inside the storage compartment, standing on a piece of cardboard, and leave the door closed for about 30 min.
- 4) Extract the plug inside the tank and the external draining plug; clean the tanks walls with water and neutral soap, rinse and dry carefully.
- 5) Clean the tank, rinse and dry carefully.
- 6) Turn the unit on and 1 hour later you can load the product again.

**Do not use jet of water to clean the cabinet: electrical wiring could be damaged.**

**Never use mechanical devices or any other means to accelerate the defrosting process, other than those recommended by the manufacturer.**



## ***SEASONAL USE***

When the unit is kept unused for a long time, please take note of the following procedures:

- unplug the unit;
- clean and dry well the unit;
- leave the door of the storage compartment open, in order to avoid bad odours;
- cover the unit with a curtain, place it in a dry room and sheltered from the atmospheric agents.

## ***DISPOSAL***

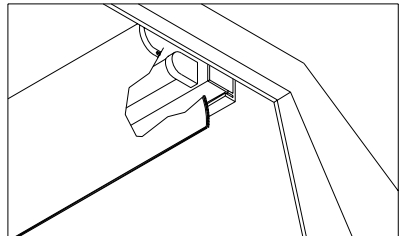
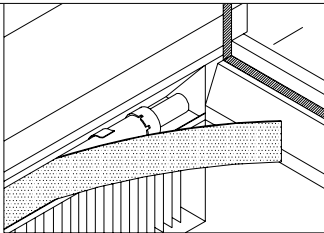
The cabinet contains oil, plastic and metallic components and glass. To guarantee the best respect of the environment, never abandon the equipment outside. The demolition of the cabinet and the recovery of the component materials must be carried out according to the local regulations in force in this matter.

## **INFORMATIONS ABOUT SERVICE**

### ***LIGHT BULB REPLACING***

#### ***MODELS ASIA - FENICE***

- 1) Isolate the neon tube by acting light switch
- 2) Extract the neon cover line by first pulling it out
- 3) Pull out the tube



#### ***MODELS EDERA - AFRIKA***

- 1) Isolate the neon tube by acting light switch
- 2) Extract the neon cover line by first pulling it out
- 3) Rotate and pull out the tube

### ***MALFUNCTIONS AND REMEDIES***

Most of the functioning inconveniences are generally due to simple causes or to defective electrical connections. These problems can usually be solved on the place.

#### **The unit does not start:**

- check that there's voltage at the wall socket;
- check that the unit is properly plugged.

#### **The internal temperature is not cold enough:**

- check that the unit is not adjacent to sources of heat;
- check that there is not too much ice on the evaporator;
- check the electronic control thermostat position;
- check that the condenser is not blocked by dirt;

#### **The unit is noisy:**

- check that all bolts and screws are tightened;
- check that the unit is levelled;
- check that none of the fan blades is touching any part of the body.

MODELLO - MODEL - MODÈLE  
MODELLE - MODELO  
**FENICE 80**

**I** **REGOLAZIONE TEMPERATURA**

Questo apparecchio frigorifero è equipaggiato di una centralina elettronica (3) per il mantenimento automatico della temperatura. La centralina è tarata in fabbrica e non deve essere toccata dall'utilizzatore. Soltanto nel caso in cui la temperatura media interna risulti non soddisfacente, si può agire **premendo il pulsante (C) o il pulsante (B)**, per incrementare o decrementare la temperatura. Premere il pulsante (A) per visualizzare la temperatura impostata. Lo **sbrinamento è automatico**. Per impostare l'ora di sbrinamento è sufficiente operare uno sbrinamento manuale nel momento prescelto premendo (per almeno 5 sec.) il pulsante (C) della centralina.

**G B** **TEMPERATURE SETTING**

Each refrigerating appliance is provided with an electronic control (3) for automatic maintenance of the appropriate pre-established temperature. This temperature adjuster is gauged by the factory and should not be touched by the user. Only if the average internal temperature is too cold or not cold you can increment or decrement the temperature **by pushing button (C) or (B)**. Pushing button (A) you can see on display the set temperature **Defrosting is automatic**. In order to set the defrosting time you must push (at least 5 sec) button (C) of electronic control.

**F** **RÉGLAGE DE LA TEMPERATURE**

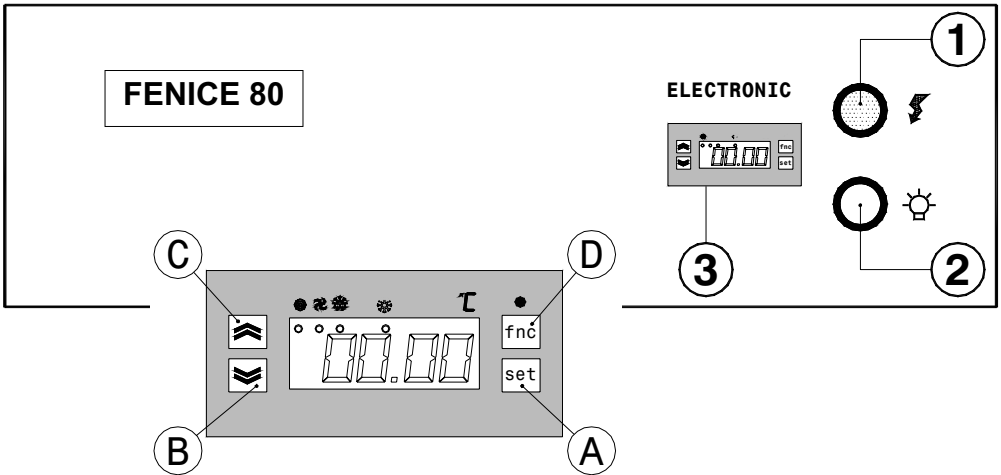
Chaque appareil frigorifique est pourvu d'une central électronique (3) pour le maintien automatique de la température. Ce dispositif pour régler la température est gradué à l'usine et ne devrait pas être touché par l'utilisateur. Seulement si la température moyenne interne est trop froide ou trop élevée, **il faut agir sur le bouton (C)** pour fixer la température plus chaude **ou il faut agir sur le bouton (B)**, pour fixer la température plus froide. Presser la touche (A) pour visualiser la température impostée. **L'appareil effectue un dégivrage automatique sur la cuve supérieur**. S'il est nécessaire de programmer l'heure de dégivrage, il suffit de provoquer un dégivrage manuel au moment choisi en appuyant (pour 5 sec.) le bouton (C) du central électronique.

**D** **TEMPERATUR-EINSTELLUNG**

Jeder Gerät ist mit einem Elektronik-Aggregat (3) zur Aufrechterhaltung der vorbestimmten und geeigneten Temperatur ausgestattet. Dieser Temperaturregler wird in der Fabrik geeicht und dürfte von dem Benutzer nicht berührt werden. Nur wenn die Durchschnittstemperatur zu kalt oder nicht kalt genug sein sollte, **ist der Druckknopf (C) oder (B) zu drücken**, damit eine wärmere oder tiefere Temperatur erreicht werden kann. Druckknopf (A) drücken für die Anzeige der Temperatur. **Abtauen ist automatisch**. Druckknopf (C) des elektronisches Aggregat drücken (zumindest 5 sec.) zur Einstellung des automatischen Abtauens.

**E** **AJUSTE DE TEMPERATURA**

Todo aparato frigorífico está equipado con una centralita electrónica (3) para el mantenimiento automático de la temperatura. Este regulador de la temperatura es tarado en la fábrica y no debe ser tocado por el usuario. Sólo en caso la temperatura promedio interna resultará demasiado fría o demasiado poco fría, habrá que **accionar la tecla (C) o la tecla (B)**, por incrementar o decrementar la temperatura. Empujar la tecla (A) para visualizar la temperatura deseada. **El desescarche es automático**. Si hace falta plantear la hora de desescarche, es suficiente ocasionar un desescarche manual en el momento escogido empujando (por al menos 5 sec.) el botón (C) de la centralita.



<p><b>COMANDI</b></p> <p>1) Interruttore generale 2) Interruttore luci 3) Centralina elettronica</p>	<p><b>COMMANDES</b></p> <p>1) Interrupteur principal 2) Interrupteur d'éclairage 3) Central électronique</p>
<p><b>CONTROLS</b></p> <p>1) Main Switch 2) Light Switch 3) Electronic control</p>	<p><b>STEUERUNGEN</b></p> <p>1) Hauptschalter 2) Lichtschalter 3) Elektronisches Aggregat</p>

<p><b>COMANDOS</b></p> <p>1) Interruptor general 2) Interruptor luz 3) Centralita electrónica</p>
---

MODELLO-MODEL-MODÈLE  
MODELLE-MODELO  
**FENICE 103-118**

**I** **REGOLAZIONE TEMPERATURA**

Questo apparecchio frigorifero è equipaggiato di untermostato per il mantenimento automatico della temperatura della vasca superiore e di un termostato per la vasca inferiore. I termostati sono tarati in fabbrica e non devono essere toccati dall'utilizzatore. Soltanto nel caso in cui la temperatura media interna risulti non soddisfacente, si può agire ruotando i pomelli (1) o (3) per regolare la temperatura della vasca superiore o inferiore. I numeri riportati sulla targhetta di regolazione non indicano direttamente il valore della temperatura bensì soltanto posizioni di riferimento: a numero maggiore corrisponde una temperatura più fredda. Lo **sbrinamento della vasca superiore è automatico**. Per impostare l'ora di sbrinamento è sufficiente ruotare con un cacciavite, in senso orario, il perno (2) del timer. Durante la fase di sbrinamento la spia luminosa (5) è accesa.

**GB** **TEMPERATURE SETTING**

Each refrigerating appliance is provided with a thermostat for automatic maintenance of the appropriate pre-established temperature inside the upper tank and with a thermostat for the lower tank. These thermostats are gauged by the factory and should not be touched by the user. Only if the average internal temperature is too cold or not cold you can set the temperature of the upper or of the lower tank by rotating the thermostat's knobs (1) or (3). The numbers on the regulation plate are not related to temperature values but only to knob reference position: a higher number corresponds to a lower temperature. **Upper tank's defrosting is automatic**. If you want to set a defrosting time, just defrost the unit manually by rotating clockwise with a screwdriver timer release (2). During defrosting time led light (5) is on.

**F** **RÉGLAGE DE LA TEMPERATURE**

Chaque appareil frigorifique est pourvu d'un thermostat pour le maintien automatique de température à l'intérieur de la cuve supérieure et d'un thermostat pour la cuve inférieure. Ces dispositifs pour régler la température sont gradués à l'usine et ne devraient pas être touchés par l'utilisateur. Seulement si la température moyenne interne est trop froide ou trop élevée, il faut agir sur le bouton (1) ou sur le bouton (3) pour afficher la température désirée dans la cuve supérieure ou inférieure. Les numéros de la plaquette de réglage n'indiquent pas directement la valeur de température, mais seulement des positions de référence: au numéro plus grand correspond une température plus froide. **L'appareil effectue un dégivrage automatique sur la cuve supérieure**. S'il est nécessaire de programmer l'heure de dégivrage, il suffit de provoquer un dégivrage manuel au moment choisi en tournant dans le sens des aiguilles d'une montre, avec à l'aide d'un tournevis, le bouton (2) du timer de dégivrage. Pendant le dégivrage sera allumé le voyant (5).

**D** **TEMPERATUR-EINSTELLUNG**

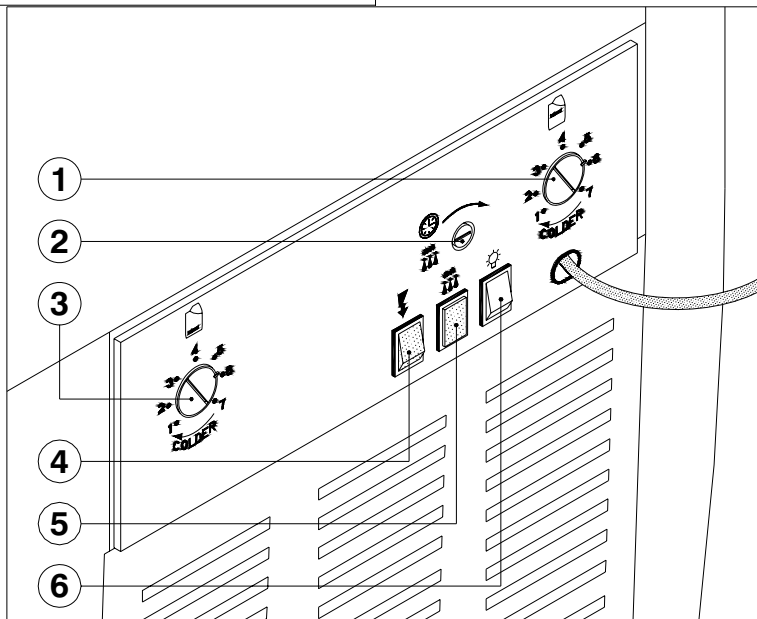
Jeder Gerät ist mit einem Thermostat zur Aufrechterhaltung der vorbestimmten und geeigneten Temperatur in der obere Wanne und mit einem Thermostat für die untere Wanne ausgestattet. Diese Temperaturregler werden in der Fabrik geeicht und dürfen von dem Benutzer nicht berührt werden. Nur wenn die Durchschnittstemperatur, in der Wannen, zu kalt oder nicht kalt genug sein sollte, ist die gewünschte Temperatur in der obere oder in der untere Wanne erfolgt durch Drehung des Thermostat - Drehknopfes (1) oder (3). Die Nummern der Gradskala nicht den Temperaturwert angeben, sondern Bezugspositionen: eine höhere Nummer entspricht einer kälteren Temperatur. **Ober-wanne Abtauen ist automatisch**. Wenn es nötig ist, die Abtaunungszeit zu programmieren, genügt es eine Handabtauung durch Drehen im Uhrzeigersinn (mit einem Schraubenzieher) des Kugelknopfes (2) des Timer in der gewählten Zeit zu verursachen. Während des Abtauens ist die Kontroll-Lampe (5) leuchtend.

**E** **AJUSTE DE TEMPERATURA**

Todo aparato frigorífico está equipado con un termostato para el mantenimiento automático de la temperatura en la cuba superior y con un termostato para la cuba inferior. Estos reguladores de la temperatura son tarados en la fábrica y no tienen que ser tocados por el usuario. Sólo en caso la temperatura promedio interna resultará demasiado fría o demasiado poco fría, habrá que seleccionar la temperatura deseada en la cuba superior o en la cuba inferior rodando la manopla del termostato (1) o (3). Los números de la escala graduada no indican el valor de la temperatura, sino posiciones de referencia: al número mayor corresponde una temperatura más fría. **El desescarche de la cuba superior es automático**. Si hace falta plantear la hora de desescarche, es suficiente ocasionar un desescarche manual en el momento escogido rodando en sentido horario, con un destornillador, la manopla (2) del timer. Durante el desescarche la lámpara testigo (5) está encendida



<p><b>COMANDI</b></p> <ol style="list-style-type: none"> <li>1) Termostato vasca superiore</li> <li>2) Timer sbrinamento</li> <li>3) Termostato vasca inferiore</li> <li>4) Interruttore generale</li> <li>5) Spia sbrinamento: accesa durante lo sbrinamento</li> <li>6) Interruttore luci</li> </ol>	<p><b>CONTROLS</b></p> <ol style="list-style-type: none"> <li>1) Upper tank Thermostat</li> <li>2) Defrosting timer</li> <li>3) Lower tank Thermostat</li> <li>4) Main switch</li> <li>5) Defrosting led light: alight during defrosting time</li> <li>6) Light switch</li> </ol>
<p><b>COMMANDES</b></p> <ol style="list-style-type: none"> <li>1) Thermostat cuve superieur</li> <li>2) Timer de degivrage</li> <li>3) Thermostat cuve inferieur</li> <li>4) Interrupteur principal</li> <li>5) Voyant de dégivrage: allumé = dégivrage en cours</li> <li>6) Interrupteur d'éclairage</li> </ol>	<p><b>STEUERUNGEN</b></p> <ol style="list-style-type: none"> <li>1) Obere Wanne Thermostat</li> <li>2) Abtau-Timer</li> <li>3) Niedere Wanne Thermostat</li> <li>4) Hauptschalter</li> <li>5) Abtau-Kontroll-Lampe: leuchtet während dem Abtauen</li> <li>6) Lichtschalter</li> </ol>
<p><b>COMANDOS</b></p> <ol style="list-style-type: none"> <li>1) Termostato cuba superior</li> <li>2) Timer de desescarche</li> <li>3) Termostato cuba inferior</li> <li>4) Interruptor general</li> <li>5) Lámpara testigo desescarche encendida durante el desescarche</li> <li>6) Interruptor luz</li> </ol>	



**MODELLO - MODEL - MODÈLE  
MODELLE - MODELO  
EDERA - AFRIKA  
ASIA M.**

**I REGOLAZIONE TEMPERATURA**

Questo apparecchio frigorifero è equipaggiato di untermostato per il mantenimento automatico della temperatura della vasca superiore e di un termostato per la vasca inferiore.

I termostati sono tarati in fabbrica e non devono essere toccati dall'utilizzatore. Soltanto nel caso in cui la temperatura media interna risulti non soddisfacente, si può agire ruotando i pomelli (2)

o (3) per regolare la temperatura della vasca superiore o inferiore. I numeri riportati sulla targhetta di regolazione non indicano direttamente il valore della temperatura bensì soltanto posizioni di riferimento: a numero maggiore corrisponde una temperatura più fredda. Lo **sbrinamento della vasca superiore è automatico**. Per impostare l'ora di sbrinamento è sufficiente ruotare con un cacciavite, in senso orario, il perno (4) del timer. Durante la fase di sbrinamento la spia luminosa (7) è accesa.

**GB TEMPERATURE SETTING**

Each refrigerating appliance is provided with a thermostat for automatic maintenance of the appropriate pre-established temperature inside the upper tank and with a thermostat for the lower tank. These thermostats are gauged by the factory and should not be touched by the user. Only if the average internal temperature is too cold or not cold you can set the temperature of the upper or of the lower tank by rotating the thermostat's knobs (2) or (3). The numbers on the regulation plate are not related to temperature values but only to knob reference position: a higher number corresponds to a lower temperature. **Upper tank's defrosting is automatic**. If you want to set a defrosting time, just defrost the unit manually by rotating clockwise with a screwdriver timer release (4). During defrosting time led light (7) is on.

**F RÉGLAGE DE LA TEMPERATURE**

Chaque appareil frigorifique est pourvu d'un thermostat pour le maintien automatique de température à l'intérieur de la cuve supérieure et d'un thermostat pour la cuve inférieure. Ces dispositifs pour régler la température sont gradués à l'usine et ne devraient pas être touchés par l'utilisateur. Seulement si la température moyenne interne est trop froide ou trop élevée, il faut agir sur le bouton (2) ou sur le bouton (3) pour afficher la température désirée dans la cuve supérieure ou inférieure. Les numéros de la plaquette de réglage n'indiquent pas directement la valeur de température, mais seulement des positions de référence: au numéro plus grand correspond une température plus froide. **L'appareil effectue un dégivrage automatique sur la cuve supérieure**. S'il est nécessaire de programmer l'heure de dégivrage, il suffit de provoquer un dégivrage manuel au moment choisi en tournant dans le sens des aiguilles d'une montre, avec à l'aide d'un tournevis, le bouton (4) du timer de dégivrage. Pendant le dégivrage sera allumé le voyant (7).

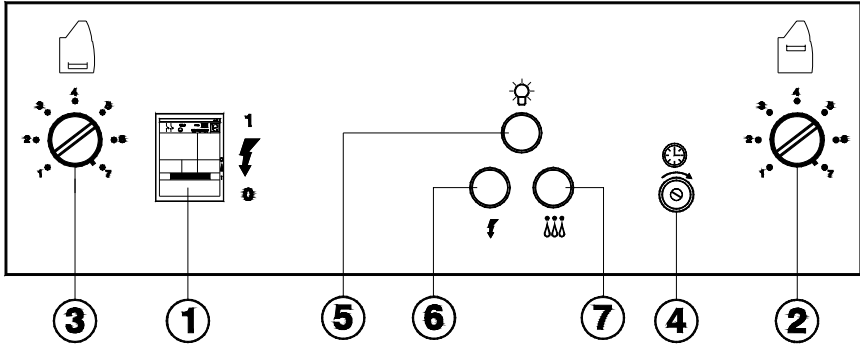
**D TEMPERATUR-EINSTELLUNG**

Jeder Gerät ist mit einem Thermostat zur Aufrechterhaltung der vorbestimmten und geeigneten Temperatur in der obere Wanne und mit einem Thermostat für die untere Wanne ausgestattet. Diese Temperaturregler werden in der Fabrik geeicht und dürfen von dem Benutzer nicht berührt werden. Nur wenn die Durchschnittstemperatur, in der Wannen, zu kalt oder nicht kalt genug sein sollte, ist die gewünschte Temperatur in der obere oder in der untere Wanne erfolgt durch Drehung des Thermostat - Drehknopfes (2) oder (3). Die Nummern der Gradskala nicht den Temperaturwert angeben, sondern Bezugspositionen: eine höhere Nummer entspricht einer kälteren Temperatur. **Ober-wanne Abtauen ist automatisch**. Wenn es nötig ist, die Abtaungszeit zu programmieren, genügt es eine Handabtaung durch Drehen im Uhrzeigersinn (mit einem Schraubenzieher) des Kugelknopfes (4) des Timer in der gewählten Zeit zu verursachen. Während des Abtauens ist die Kontroll-Lampe (7) leuchtend.

**E AJUSTE DE TEMPERATURA**

Todo aparato frigorífico está equipado con un termostato para el mantenimiento automático de la temperatura en la cuba superior y con un termostato para la cuba inferior. Estos reguladores de la temperatura son tarados en la fábrica y no tienen que ser tocados por el usuario. Sólo en caso la temperatura promedio interna resultará demasiado fría o demasiado poco fría, habrá que seleccionar la temperatura deseada en la cuba superior o en la cuba inferior rodando la manopla del termostato (2) o (3). Los números de la escala graduada no indican el valor de la temperatura, sino posiciones de referencia: al número mayor corresponde una temperatura más fría. **El desescarche de la cuba superior es automático**. Si hace falta plantear la hora de desescarche, es suficiente ocasionar un desescarche manual en el momento escogido rodando en sentido horario, con un destornillador, la manopla (4) del timer. Durante el desescarche la lámpara testigo (7) está encendida

# EDERA - AFRIKA



## COMANDI

- 1) Interruttore generale
- 2) Termostato vasca superiore
- 3) Termostato vasca inferiore
- 4) Timer sbrinamento
- 5) Interruttore luci
- 6) Spia di linea :accesa con apparecchio alimentato dalla linea
- 7) Spia sbrinamento: accesa durante lo sbrinamento

## COMMANDES

- 1) Interrupteur principal
- 2) Thermostat de la cuve supérieur
- 3) Thermostat de la cuve inférieur
- 4) Timer de degivrage
- 5) Interrupteur d'éclairage
- 6) Voyant de alimentation: allumé=l'appareil est embranché au réseau
- 7) Voyant de dégivrage: allumé = dégivrage en cours

## CONTROLS

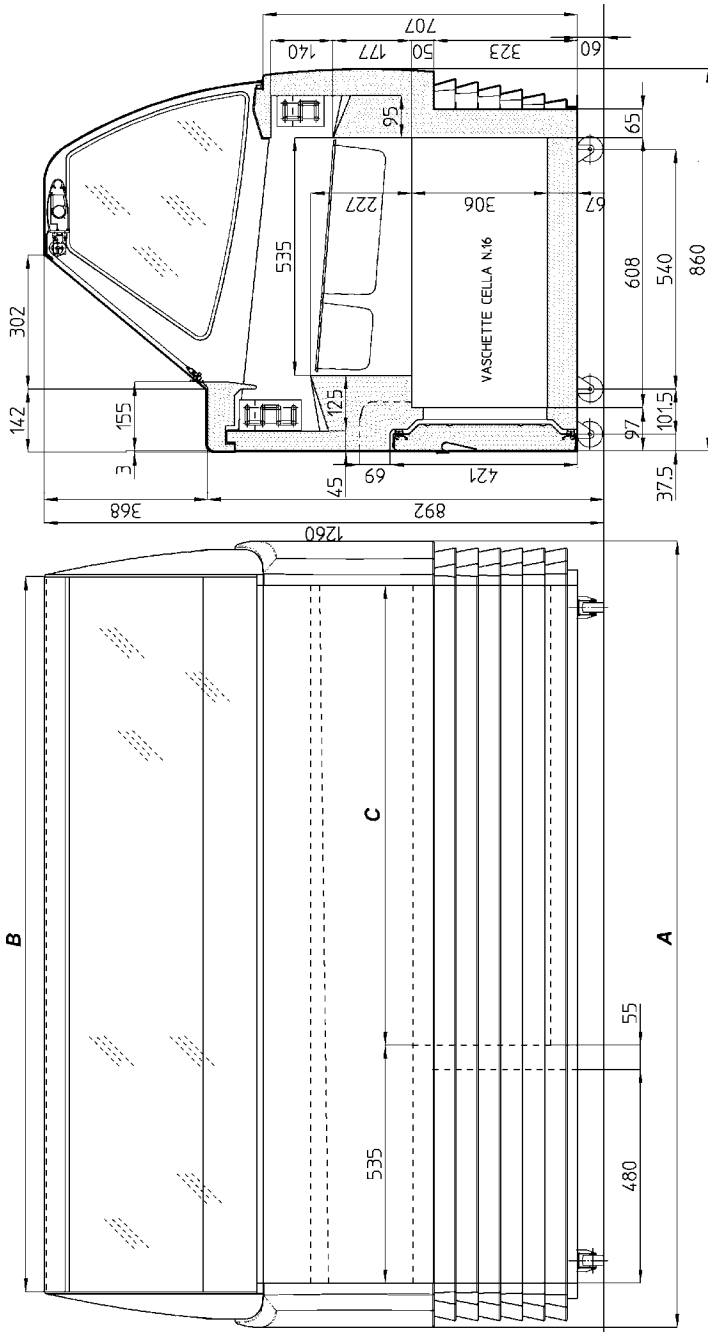
- 1) Main Switch
- 2) Upper tank Thermostat
- 3) Lower tank Thermostat
- 4) Defrosting timer
- 5) Light switch
- 6) Main supply led light: alight when the cabinet is connected
- 7) Defrosting led light: alight during defrosting time

## STEUERUNGEN

- 1) Hauptschalter
- 2) Obere Wanne Thermostat
- 3) Untere wanne thermostat
- 4) Abtau-Timer
- 5) Lichtschalter
- 6) Gerät Funktion Kontrolleuchte: leuchtend=Gerät angeschlossen
- 7) Abtau-Kontroll-Lampe: leuchtet während dem Abtauen

## COMANDOS

- 1) Interruptor general
- 2) Termostato cuba superior
- 3) Termostato cuba inferior
- 4) Timer de desescarche
- 5) Interruptor luz
- 6) Lámpara testigo línea de alimentación: encendida con refrigerador conectado
- 7) Lámpara testigo desescarche encendida durante el desescarche.



	A [mm]	B [mm]	Gross Vol. [lt]	Net Vol. [lt]
<b>AFRIKA - EDERA 126</b>	1220	685	237 / 126	150 / 99
<b>AFRIKA - EDERA 157</b>	1570	1035	305 / 191	195 / 148



### **AVVERTENZE PER IL CORRETTO SMALTIMENTO DEL PRODOTTO AI SENSI DELLA DIRETTIVA EUROPEA 2002/96/EC**

Alla fine della sua vita utile il prodotto non deve essere smaltito insieme ai rifiuti urbani. Può essere consegnato presso gli appositi centri di raccolta differenziata predisposti dalle amministrazioni comunali, oppure presso i rivenditori che forniscono questo servizio.

Smaltire separatamente un elettrodomestico consente di evitare possibili conseguenze negative per l'ambiente e per la salute derivanti da un suo smaltimento inadeguato e permette di recuperare i materiali di cui è composto al fine di ottenere un importante risparmio di energia e di risorse. Per rimarcare l'obbligo di smaltire separatamente gli elettrodomestici, sul prodotto è riportato il marchio del contenitore di spazzatura mobile barrato.

### **IMPORTANT INFORMATION FOR CORRECT DISPOSAL OF THE PRODUCT IN ACCORDANCE WITH EC DIRECTIVE 2002/96/EC**

At the end of its working life, the product must not be disposed of as urban waste. It must be taken to a special local authority differentiated waste collection centre or to a dealer providing this service. Disposing of a household appliance separately avoids possible negative consequences for the environment and health deriving from inappropriate disposal and enables the constituent materials to be recovered to obtain significant savings in energy and resources. As a reminder of the need to dispose of household appliances separately, the product is marked with a crossed-out wheeled dustbin.

### **AVERTISSEMENTS POUR L'ÉLIMINATION CORRECTE DU PRODUIT AUX TERMES DE LA DIRECTIVE EUROPÉENNE 2002/96/EC**

Au terme de son utilisation, le produit ne doit pas être éliminé avec les déchets urbains. Le produit doit être remis à l'un des centres de collecte sélective prévus par l'administration communale ou auprès des revendeurs assurant ce service. Éliminer séparément un appareil électroménager permet d'éviter les retombées négatives pour l'environnement et la santé dérivant d'une élimination incorrecte, et permet de récupérer les matériaux qui le composent dans le but d'une économie importantes en termes d'énergie et de ressources. Pour rappeler l'obligation d'éliminer séparément les appareils électroménagers, le produit porte le symbole d'un caisson à ordures barré.

### **WICHTIGER HINWEIS FÜR DIE KORREKTE ENTSORGUNG DES PRODUKTS IN ÜBEREINSTIMMUNG MIT DER RICHTLINIE 2002/96/EG**

Am Ende seiner Nutzzeit darf das Produkt NICHT zusammen mit dem Siedlungsabfall beseitigt werden. Es kann zu den eigens von den städtischen Behörden eingerichteten Sammelstellen oder zu den Fachhändlern, die einen Rücknahmeservice anbieten, gebracht werden. Die getrennte Entsorgung eines Haushaltsgerätes vermeidet mögliche negative Auswirkungen auf die Umwelt und die menschliche Gesundheit, die durch eine nicht vorchriftsmässige Entsorgung bedingt sind. Zudem ermöglicht wird die Wiederverwertung der Materialien, aus denen sich das Gerät zusammensetzt, was wiederum eine bedeutende Einsparung an Energie und Ressourcen mit sich bringt. Zur Erinnerung an die Verpflichtung, die Elektrohaushaltsgeräte getrennt zu beseitigen, ist das Produkt mit einer Mülltonne, die durchgestrichen ist, gekennzeichnet.

### **ADVERTENCIAS PARA LA ELIMINACIÓN CORRECTA DEL PRODUCTO SEGÚN ESTABLECE LA DIRECTIVA EUROPEA 2002/96/EC**

Al final de su vida útil, o producto no debe eliminarse junto a los desechos urbanos. Puede entregarse a centros específicos de recogida diferenciada dispuestos por las administraciones municipales, o a distribuidores que facilitan este servicio. Eliminar por separado un electrodoméstico significa evitar posibles consecuencias negativas para el medio ambiente y la salud derivadas de una eliminación inadecuada y permite reciclar los materiales que lo componen, obteniendo así un ahorro importante de energía y recursos. Para subrayar la obligación de eliminar por separado los electrodomésticos, en el producto aparece un contenedor de basura móvil tachado.

**DICHIARAZIONE DI CONFORMITA'  
DECLARATION OF CONFORMITY  
DÉCLARATION DE CONFORMITÉ  
KONFORMITÄTS ERKLÄRUNG  
DECLARACIÓN DE CONFORMIDAD**

*Noi, we, nous, wir, nosotros :*

**IARP S.r.l.  
Via Grandi 43 - Zona Ind.le  
15033 CASALE MONFERRATO (AL)  
ITALIA**

dichiariamo sotto la nostra responsabilità che il prodotto: apparecchio di refrigerazione per uso commerciale  
declare under our responsibility that the product: refrigeration appliance for commercial use  
déclarons sous notre responsabilité que le produit : appareil de réfrigération pour l'emploi commercial  
erklären unter unserer Verantwortung daß das Produkt: Kühlgerät für kommerzielle Anwendung  
declaramos bajo nuestra responsabilidad que el producto: aparato de refrigeración para uso comercial

*modello, model, modèle, Modelle, modelo :*

al quale questa dichiarazione si riferisce, è conforme alle seguenti norme:  
to which this declaration relates is in conformity with the following standards or other normative document:  
auquel cette déclaration se réfère, est conforme aux normes suivantes:  
auf welches sich diese Erklärung bezieht, entspricht folgenden Normen:  
al cual esta declaración se refiere, es conforme a las normas siguientes:

**EN 55014-1 (2006)**  
**EN 55014-2 (1997) +A1 (2001)**  
**EN 61000-3-2 (2006)**  
**EN 61000-3-3 (1995) +A1 (2001) +A2 (2005)**  
**EN 60335-1 (2002) +A1 (2004) +A11 (2004) +A12 (2006) +A2 (2006)**  
**EN 60335-2 -89 (2002) +A11 (2004) + A1 (2005) +A2 (2007)**  
**IEC 60335 -1 (2002) +A1 (2004) +A2 (2006)**  
**IEC 60335 -2-89 (2002) +A1 (2005) +A2 (2007)**

In base a quanto previsto dalle Direttive:  
Following the provisions of the Directives:  
Selon ce qui est prévus par les Directives :  
Wie vorgesehen in den Richtlinien:  
Según lo previsto por las Directivas :

**EC 2006/95, EC 2004/108**