

**Kelvinator** 

## Factory Parts Catalog

Product No.	KFS220RHY2
Series	Commercial
Color	Gray-S/S
Volts	115V
Owner's Guide	297429400
Market	North America

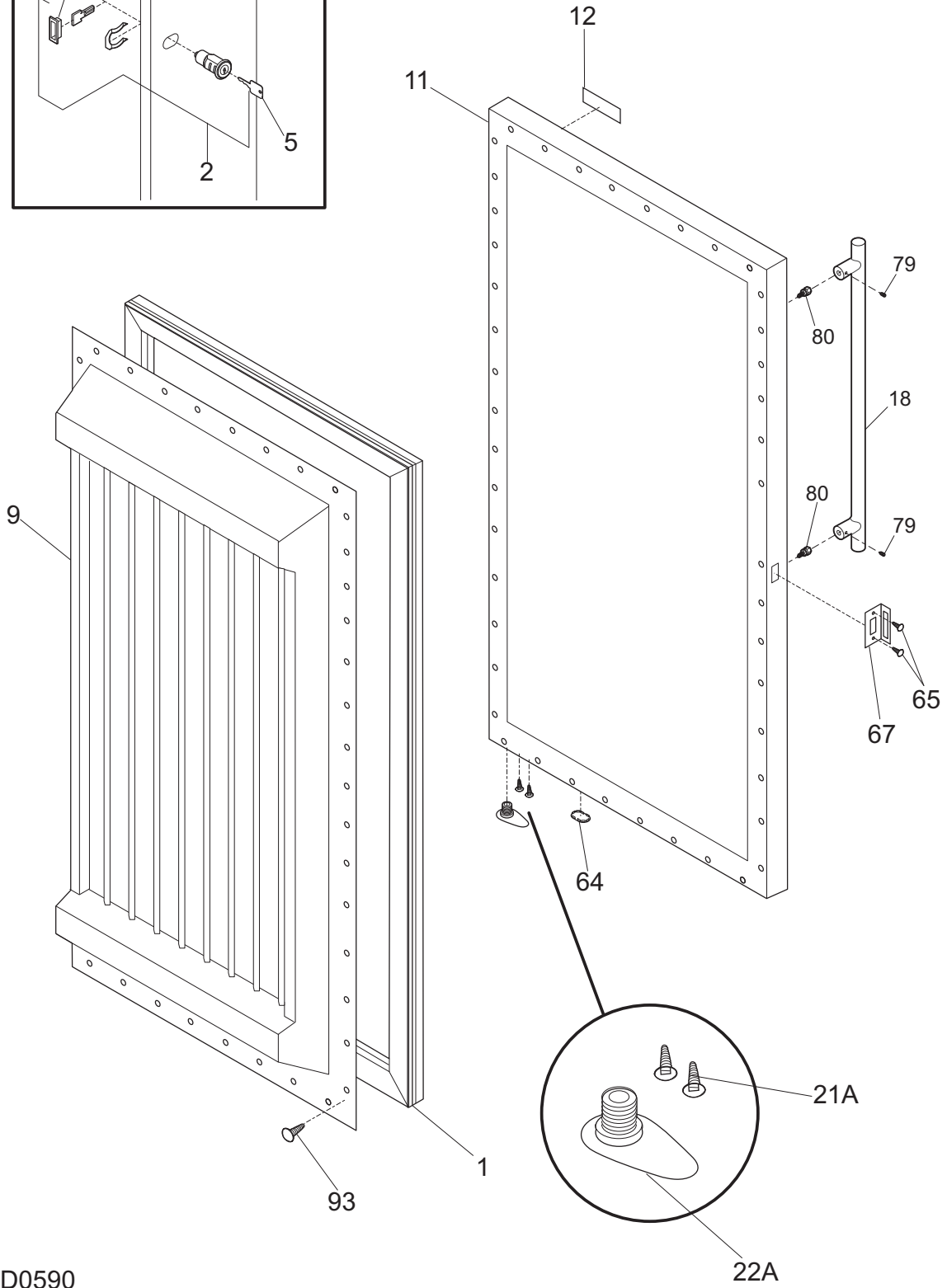
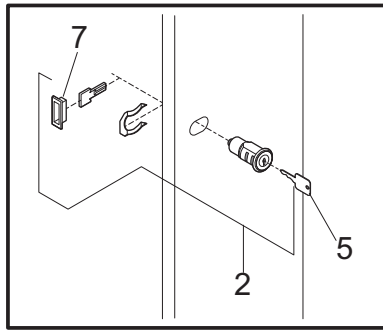
This Catalog replaces 5995616017

Publication No.  
**5995634507**  
13/07/18  
(EN/SERVICE/JW)  
365

### UPRIGHT FREEZER

Model No.  
KFS220RHY

DOOR



P08D0590

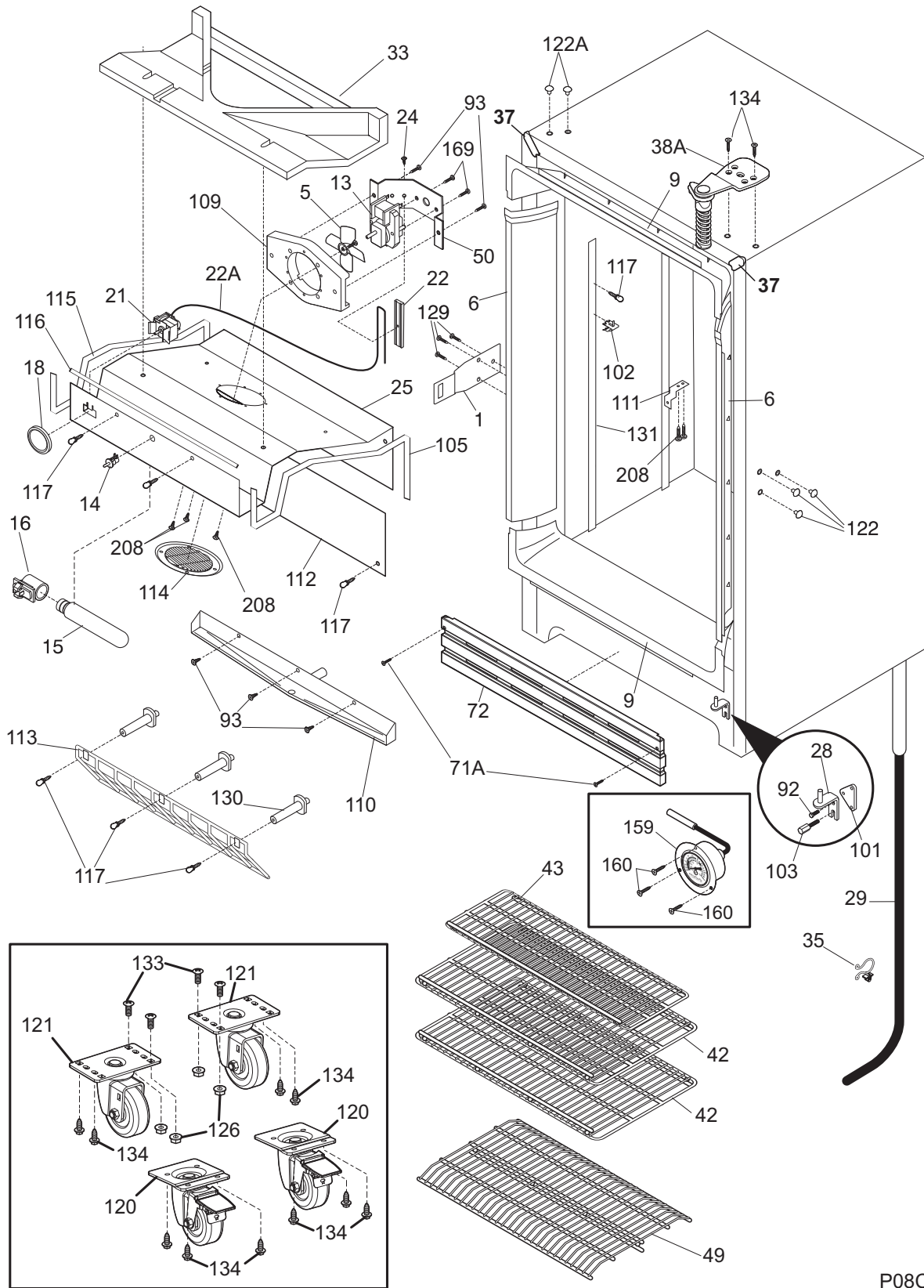
---

**DOOR**


---

POS. NO	PART NO.	DESCRIPTION
1	216522318	Gasket-door, black
2 #	216362700	Lock Assy
5 #	216362800	Key, lock
7	216468700	Bezel-lock
9	216529700	Panel-inner door
11	297255302	Panel-outer door
12	297146600	Nameplate, Commercial
18	297314000	Handle
*	240537301	Nut-anchor, door hdl screw
*	5300158222	Screw-anchor, 8-18
21A	216850900	Screw, hex washer hd, 1/4 x 7/8, door stop/hng
22A	216335400	Bearing-hinge
64	216403701	Plug-button, hole filler, door base
65	216423501	Screw-retainer
67	216423000	Retainer-lock
79	218755401	Screw-set, 10-32 x 0.375
80	218755504	Screw-shoulder, #10 AB, handle mounting
93	216858001	Screw, 8-18x.50 AB, #10
*	216923003	Plug button, 1/4", grey, (2)

**CABINET**

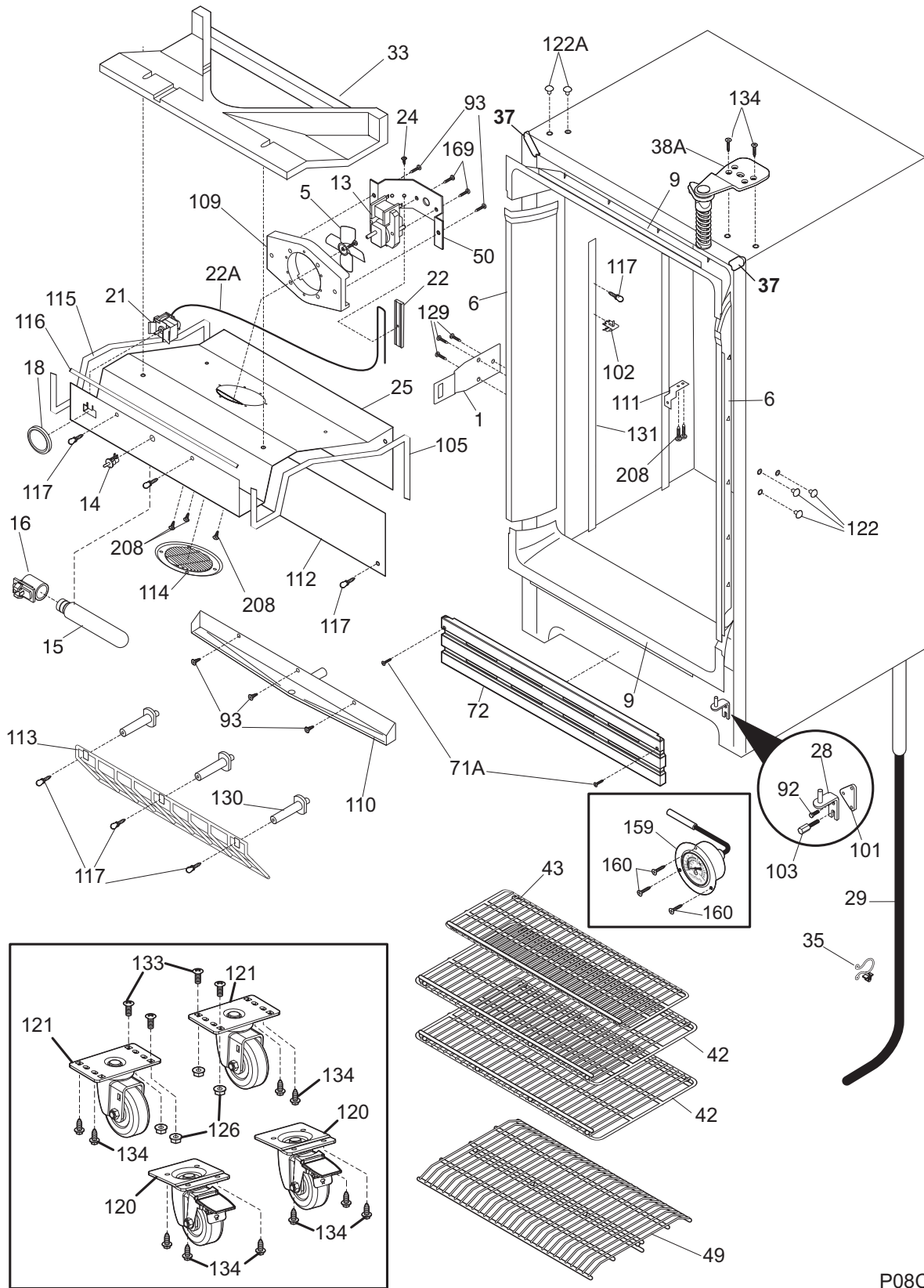


P08C1277

**CABINET**

POS. NO	PART NO.	DESCRIPTION
1	297222500	Lock-catch
5 #	216325600	Fan Blade
6	297200900	Breaker Kit w/corners
9	297200100	Breaker Kit w/corners, 32", top and bottom
13 #	297250000	Motor, fan, 115 V
14	297243800	Switch, light/lamp, plunger
15	216518101	Lamp, blue, 40 watt, 130 volt
16	297139500	Socket, light/lamp
18	216591501	Knob, temp control
21	216579100	Control-temperature, NSF
22	216823500	Clamp, cap tube, cold control
22A	5303916855	Tube, sensor sleeve, plastic, clear
24	5304460604	Screw, type A, 10-24 x 3/8
25	216659103	Cover-evaporator
25*#	297069300	Harness, electrical, evaporator
28	216335600	Hinge-bottom, stepped pin
29	216361901	Hose-drain
33	216680901	Duct-air
35	216273000	Clip, wire retainer
37	297273903	Trim-cabinet corner, silver mist, (2)
38A	297215900	Hinge-top, door closer
42	216384002	Shelf-full frame
43	216386202	Shelf-partial
49	216331802	Trivet
50	08013207	Bracket-fan motor
71A	216395801	Screw, 1/4 20 x 1/2
72	297071200	Grille/Kickplate
92	216850900	Screw, hex washer hd, 1/4 x 7/8, door stop/hng
93	5304460605	Screw, ph truss head, 8-18AB x 0.500
101	216335700	Plate-hinge, tapping
102	297121900	Support shelf
103	216336301	Standoff-base panel
105	216361100	Gasket-cover evap, RH
109	297014200	Venturi, blower
110	216377000	Pan-drain, condensate
111	297141400	Bracket-evap cover
111*	3017666	Nut-insert
112	216381300	Cover-drain, condensate
113	216383602	Grate-air intake
114	297014300	Cover-blower
115	216383700	Gasket-evap cover, LH
116	216383800	Gasket-evap cover, front
117	216605500	Thumbscrew
120	297206600	Caster-front, (2)
121	297206500	Caster-rear, (2)
122	215774920	Plug button, silver mist
122A	216429602	Plug-button, black, upr hinge holes
126	216658601	Nut, lock, 5/16 UNC-3B
129	216393301	Screw-lock catch, one way
130	297244700	Support, evaporator mtg
131	297122000	Shelf-standard

CABINET

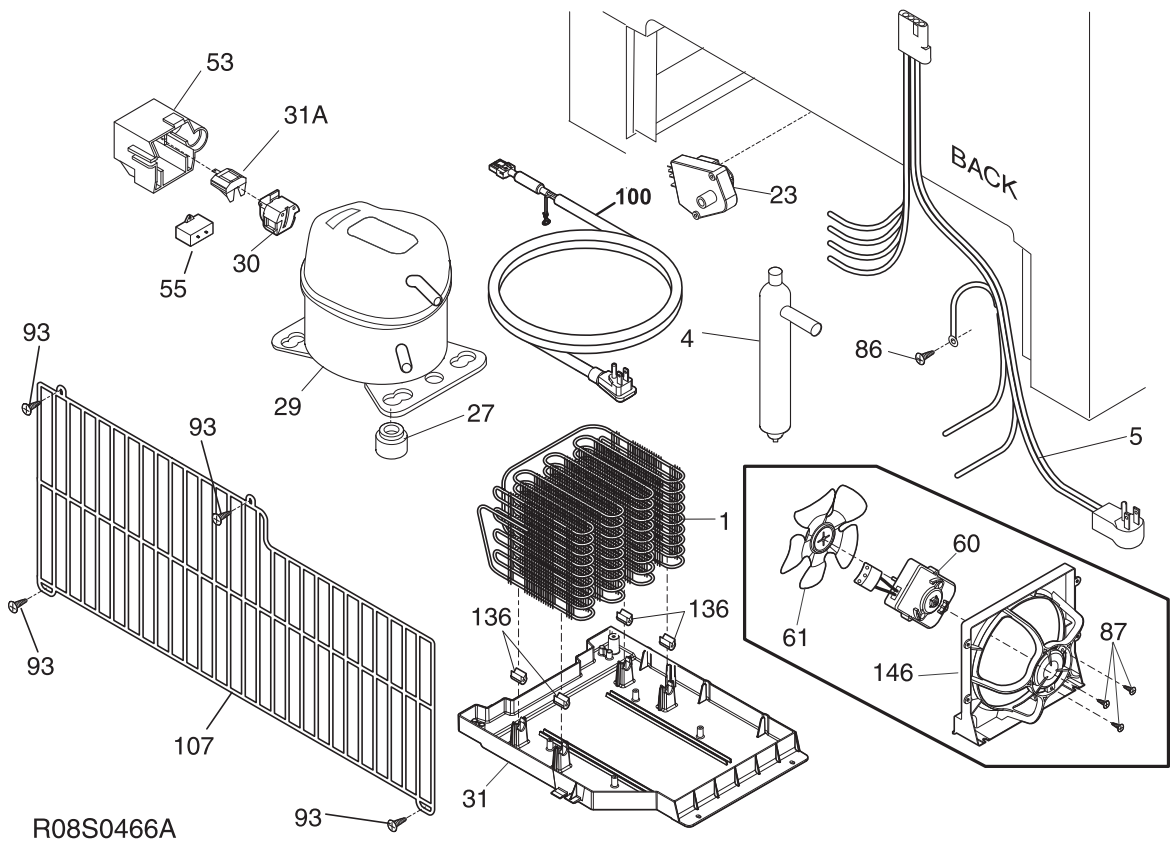
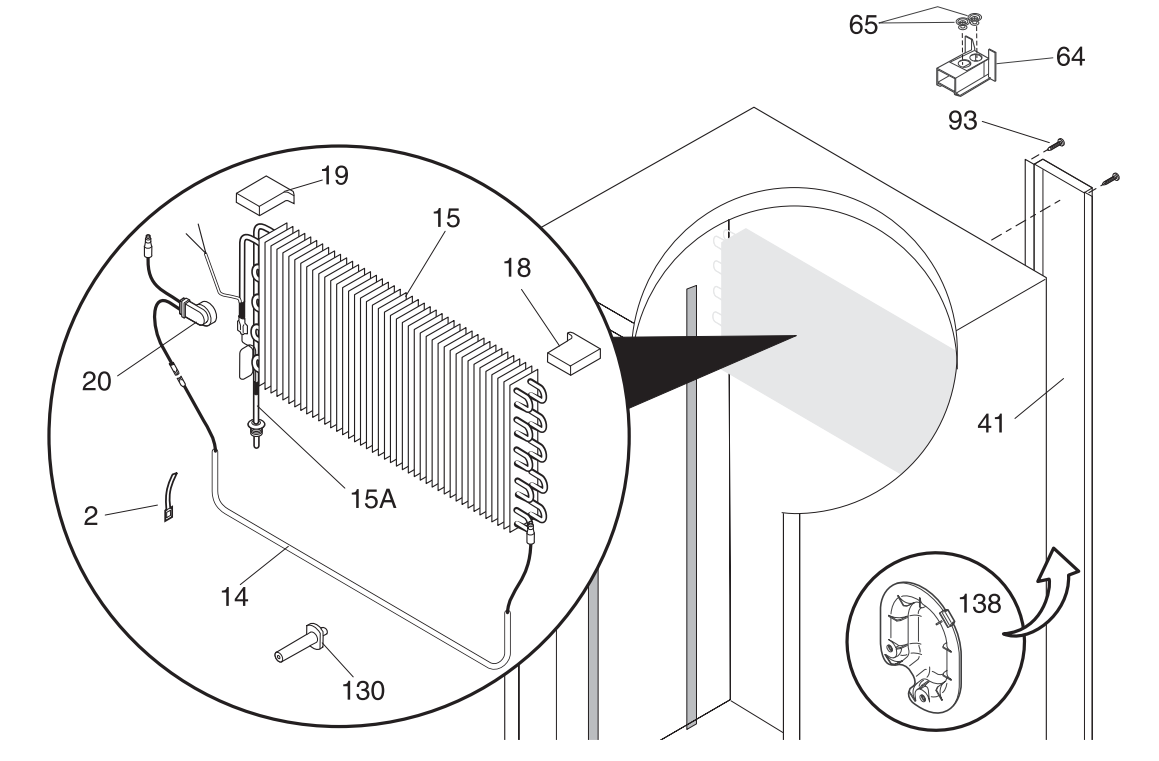


P08C1277

**CABINET**

POS. NO	PART NO.	DESCRIPTION
133	216658401	Bolt, caster, 5/16 sq. neck, front
134	297236250	Screw, hex head, 1/4-20x5/8, hinge
159	297070201	Dial, thermometer
160	297096100	Screw, #6-20X.375 AB, stainless, thermo dial
169	216912401	Screw, hex washer head, 8-32 x 0.500, bracket fan mtr, (2)
208	216504500	Screw, AB, 8-18x.500
*	297086605	Castor, hardware kit
*	297211400	Installation Instructions, casters
*	297001708	Insulation, drain tube, 36"
*	297090800	Label, freezer
*	5303311565	Clip-cable

**SYSTEM**





## SYSTEM

---

POS. NO	PART NO.	DESCRIPTION
1 #	5300083897	Condenser
2	5308000110	Strap-evap/heater, aluminum, (2)
4 #	216938601	Filter - Dryer
5 #	297337300	Harness-main
5*	216987800	Adapter-harness
*	297082300	Harness-jumper
14	216730700	Heater-defrost
15 #	297311300	Evaporator
15A	297219100	Heat Exchanger
18	297078701	Insulator-evap, styrofoam, RH
19	297078801	Insulator-evap, styrofoam, LH
20	297216600	Thermostat, defrost
23 #	297318010	Timer, defrost, 115V, tab
29 #	216966900	Compressor, assy
30 #	216894200	Starter, relay
31	297165801	Pan-drain
31A#	216100126	Overload Protector
41	297070700	Cover-wiring, rear
53	216894500	Cover-terminal
55 #	297286810	Capacitor-run, 250 VA, 15 UF
60	297279500	Motor-condenser fan
61	241639501	Blade-condenser fan
64	216578800	Vent
65	5309950074	Valve, breather
86	216036601	Screw, RWHD, 8-32A x 0.500, GX-CA
87	5304463290	Screw, hi-lo blunt, #8-18X1/2
100#	297169900	Cord-power, flat
107	297225501	Cover, access
130	297244700	Support, evaporator mtg
136	240405201	Grommet, rubber, black, cond tube/wire
*	240491503	Screw-compressor mtg, 1/4-28 x 1.16, (4)
138	297070800	Cover-drain hose
146	297164000	Shroud-fan orifice
146*	216337701	Screw, HWH, 10-24 x 0.500, Swage
*	5303311565	Clip-cable
*	216225700	Grommet-spacer
*	297102800	Spacer-tube
*	240555002	Screw-#8-32 X 3/8