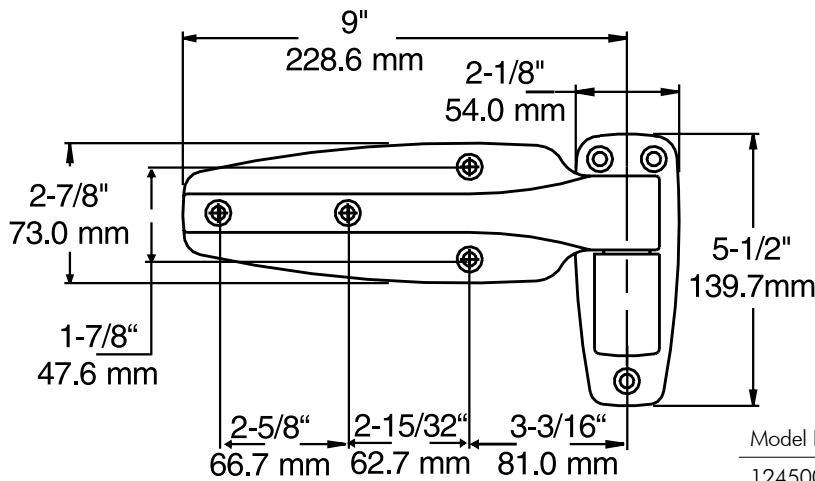


## 1245 REVERSIBLE CAM-RISE HINGE



Model No.	Item	Offset	Finish
1245000004	Hinge	Flush (0.0 mm)	Tuffkote
1245000016	Hinge	1-1/8" (28.6 mm)	Tuffkote
1245000020	Hinge	1-1/4" (31.8 mm)	Tuffkote
1245000024	Hinge	1-3/8" (34.9 mm)	Tuffkote
1245000052	Hinge	1-1/2" (38.1 mm)	Tuffkote
1245000056	Hinge	1-5/8" (41.3 mm)	Tuffkote
1245000060	Hinge	1-3/4" (44.5 mm)	Tuffkote
1245000064	Hinge	1-7/8" (47.6 mm)	Tuffkote
1245000028	Hinge	Flush (0.0 mm)	Polished Chrome
1245000040	Hinge	1-1/8" (28.6 mm)	Polished Chrome
1245000044	Hinge	1-1/4" (31.8 mm)	Polished Chrome
1245000048	Hinge	1-3/8" (34.9 mm)	Polished Chrome
1245000068	Hinge	1-1/2" (38.1 mm)	Polished Chrome
1245000072	Hinge	1-5/8" (41.3 mm)	Polished Chrome
1245000076	Hinge	1-3/4" (44.5 mm)	Polished Chrome
1245000080	Hinge	1-7/8" (47.6 mm)	Polished Chrome
1245000082	Hinge	2" (50.8 mm)	Polished Chrome
1245000088	Hinge	Flush (0.0 mm)	Brushed Chrome
1245000112	Hinge	1-1/8" (28.6 mm)	Brushed Chrome
1245000116	Hinge	1-1/4" (31.8 mm)	Brushed Chrome
1245000120	Hinge	1-3/8" (34.9 mm)	Brushed Chrome
1245000124	Hinge	1-1/2" (38.1 mm)	Brushed Chrome
1245000128	Hinge	1-5/8" (41.3 mm)	Brushed Chrome
1245000132	Hinge	1-3/4" (44.5 mm)	Brushed Chrome
1245000136	Hinge	1-7/8" (47.6 mm)	Brushed Chrome
1245000138	Hinge	2" (50.8 mm)	Brushed Chrome

PACKAGING: 3 pair per carton.

WEIGHT: Approx. 18 lb. (8.2 kg) per carton.



### REVERSE HINGES IN MINUTES

**1. Lift strap from flange and remove pin assembly.**



**2. Pop out cap. Turn strap 180°, reinsert pin assembly in strap.**



**3. Reposition strap into flange and replace cap.**